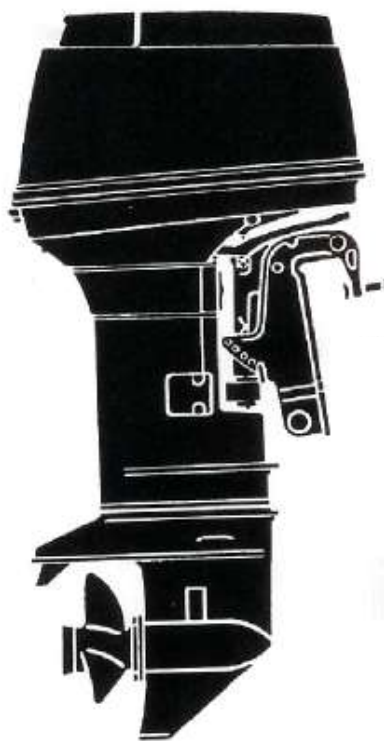


Raider 50 Horsepower Parts and Assembly



R5-ES-002

OB No. R50ES-002, Rev. B

September 2016

HOW TO USE THIS PARTS CATALOG

1. This Parts Catalog contains the component parts of the Raider outboard motors.
2. Please keep the Parts Catalog updated each time when receiving the Service Bulletin describing the addition, abolition and/or change of parts
3. Given mark in (*) to part number shows assembly or kit part.

4. Marks in this Parts Catalog show

STD	: Standard	M	: Manual Tilt Type
OPT	: Optional Parts	F	: Tiller Handle Type
O/S	: Over size		
Ass'y	: Assembly		
AR	: As required		
E	: Electric Starter Type		

5. Attention to order

- 1) Please order painted parts in accordance with following. The part that fourth figure of the parts number is "B" or "S" have painted. When you order the painted parts, please change the number of fourth figure if it is necessary.

Example 1 : Power Head Parts

Example 2 : Lower Unit Parts

3E3B01100-2

3C8S87301-4

↓

↓

B: Black

S: Silver-gray

- 2) Please order the "UNIQUE" parts in accordance with following.
For the parts with "UNIQUE" in their Remarks column, you need to rewrite by using the Contrast List that also contains parts number.

Example 1 : Decal Sets Parts

P/N 3E3S87802-1 on the Parts Catalogue

P/N 3E8N87801-5 to order

CONTENTS

Fig. 1	Cylinder Crank Case	4
Fig. 2	Piston – Crank Shaft	6
Fig. 3	Inlet – Reed Valve	10
Fig. 4	Air Silencer	12
Fig. 5	Carburetor -----	14
Fig. 6	Fuel Line/Multi-Fuel	17
Fig. 7	Throttle	19
Fig. 8	Steering Handle	21
Fig. 9	Recoil Starter	24
Fig. 10	Magneto	27
Fig. 11	Electric Parts (C.D. Unit)	29
Fig. 12	Electric Parts (Stater Motor)	31
Fig. 13	Electric Parts (Diagram)	34
Fig. 14	Dewatering System	36
Fig. 15	Gear Case (Drive Shaft)	38
Fig. 16	Gear Case (Propeller Shaft)	40
Fig. 17	Multi-Fuel	44
Fig. 18	Shift	45
Fig. 19	Bracket-Tilt	47
Fig. 20	Multi-fuel	50
Fig. 21	Upper Motor Cover	53

Fig. 1. Cylinder Crank Case

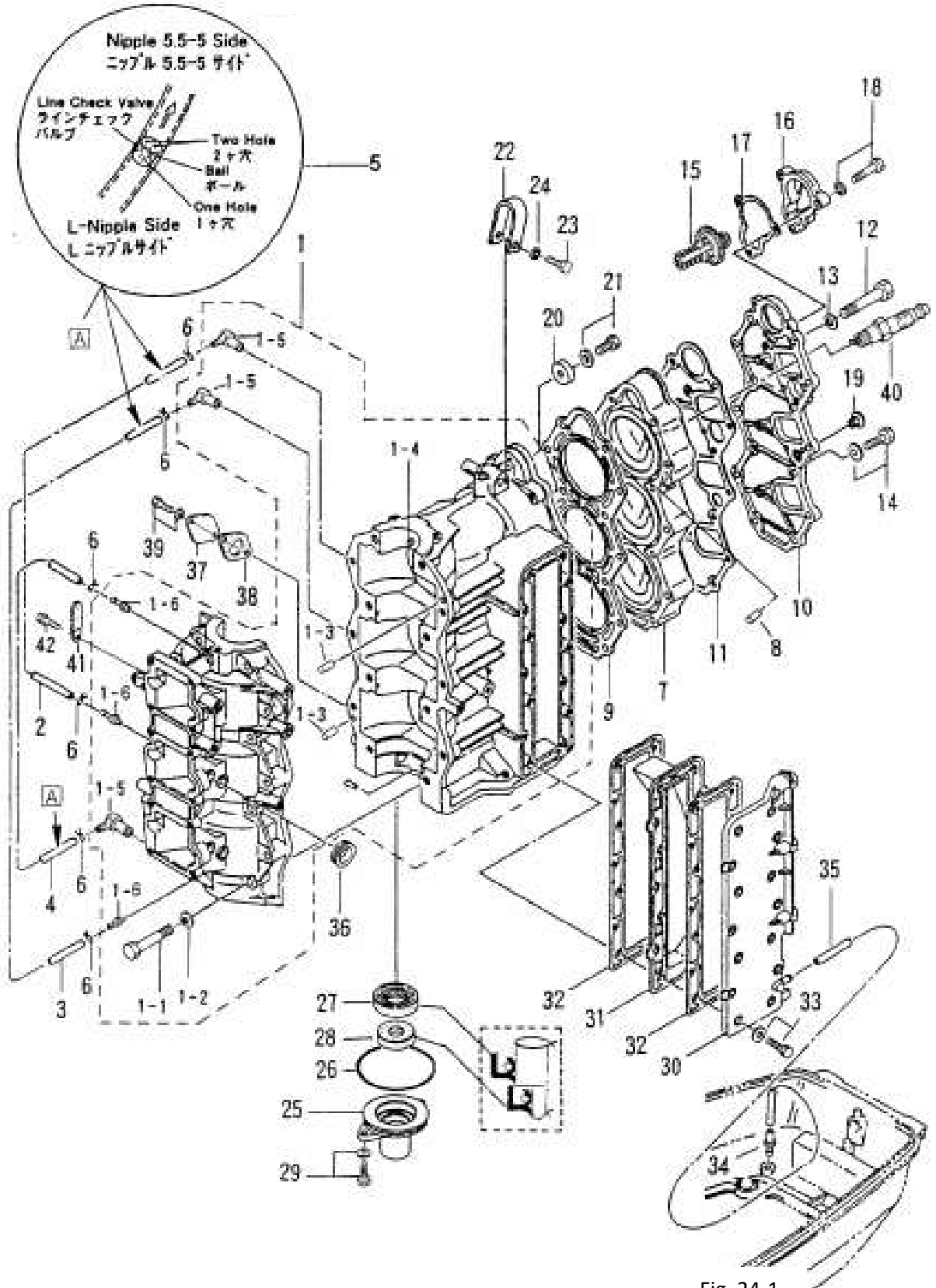


Fig. 24-1

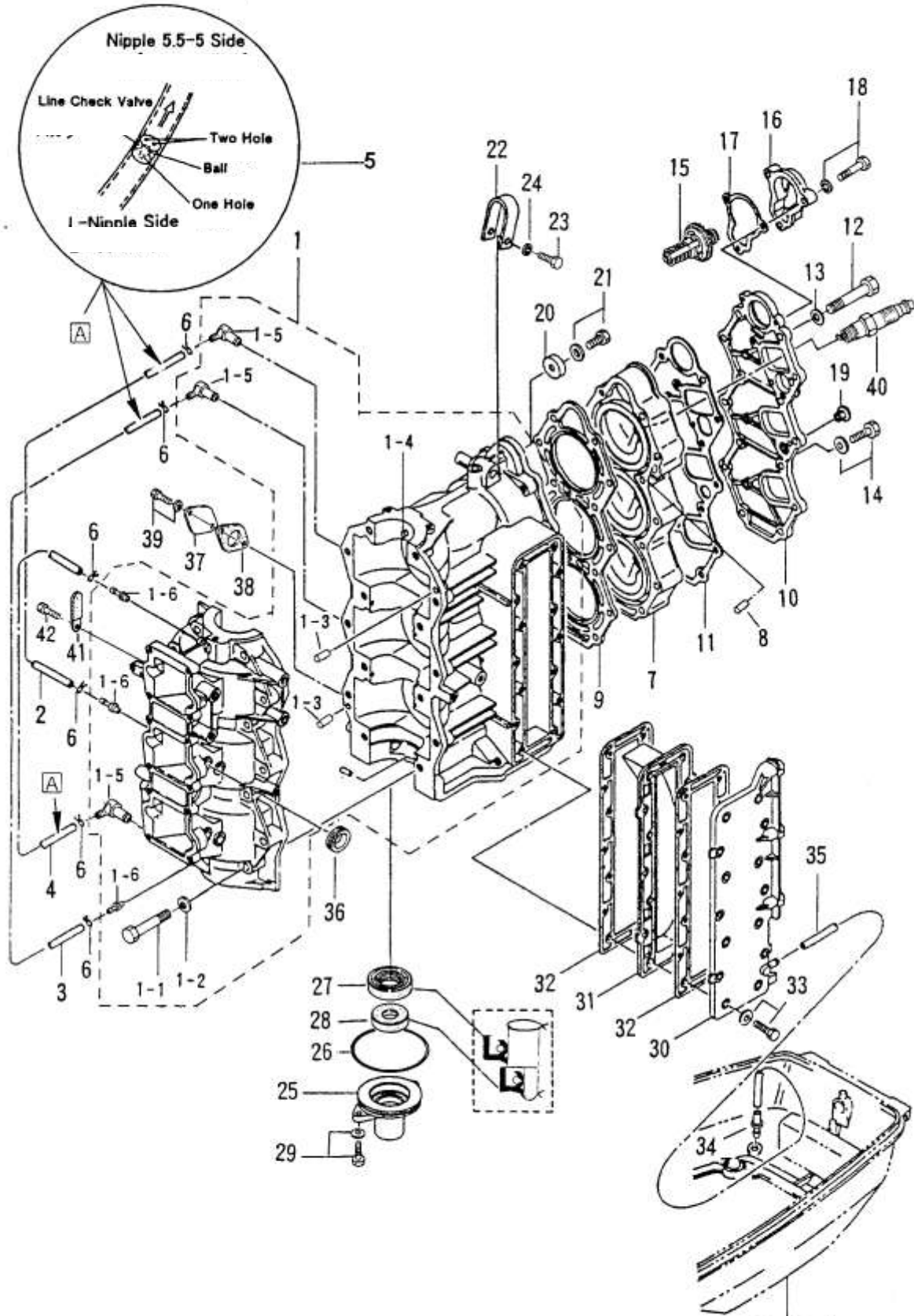
Reference No.	Part Number	Description	Quantity	Remarks
1-1	3E3B01100-2	Cylinder, Crank Case	1	#63492
1-1-1	916124-0845	Bolt	14	
1-1-2	940121-0800	Washer	14	
1-1-3	345-01111-0	Knock, 6-12	2	
1-1-4	345-00117-0	Knock, Main Bearing	1	
1-1-5	393-01137-0	L-Nipple (New)	3	#63492
1-1-6	393-01131-0	Nipple 5.5-5	3	

1-2	98AL-4-0160	Lubrication Pipe	1	
1-3	98AL-4-0220	Lubrication Pipe	1	
1-4	98-AL-4-0330	Lubrication Pipe	1	
1-5	393-01160-0	Line Check Valve	3	
1-6	3T5-01133-0	Clip 8	6	#63492
1-7	3C8B01001-2	Cylinder Head	1	
1-8	345-01111-0	Knock, 6-12	2	
1-9	3C8-01005-4	Gasket, Cylinder Head	1	

1-10	3C8B01031-0	Thermostat	1	
1-11	3C8-01024-1	Gasket, Cylinder Head Cover	1	
1-12	916189-0865	Bolt	4	
1-13	345-01015-0	Washer 8 5-19 5-3.2	14	
1-14	910121-5620	Bolt	4	
1-15	353-01030-0	Thermostat	1	
1-16	353B01031-0	Cap. Thermostat	1	
1-17	353-01032-0	Gasket Thermo. Cap	1	

1-18	910113-5625	Bolt	3	
1-19	3B7-01046-0	Plug	1	
1-20	338-60218-2	Anode	1	
1-21	910113-5620	Bolt	1	
1-22	3C8B01513-0	Hanger	1	

Cylinder – Crank Case

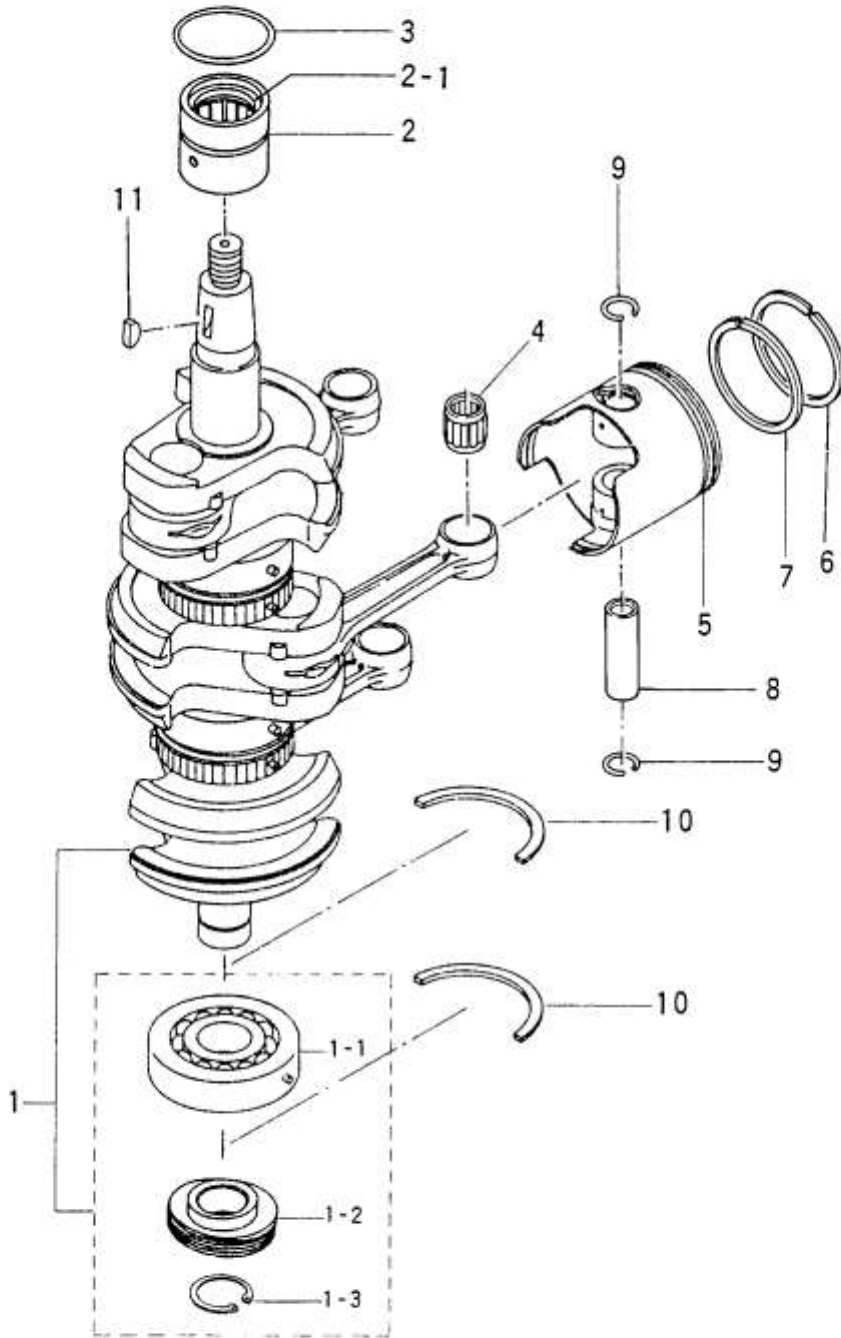


Reference No.	Part No.	Description	Quantity	Remarks
1-23	910114-0835	Bolt	1	
1-24	940121-0800	Washer	1	
1-25	3C8-01291-0	Lower Head, Crank Case	1	
1-26	346-01216-0	O-Ring 1.7-59	1	
1-27	334-00122-0	Oil Seal 25-40-8	1	
1-28	3C8-01215-0	Oil Seal, 16-28-7	1	
1-29	910113-5620	Bolt	2	

1-30	3C8B02301-0	Exhaust Cover, Outer	1	
1-31	3C8-02302-0	Exhaust Cover, Inner	1	
1-32	3C8-02305-0	Gasket, Exhaust Cover	2	
1-33	910114-5625	Bolt	14	
1-34	353-01138-0	Water Nipple	1	
1-35	98AB-5-0260	Pipe, Water Nipple	1	
1-36	3B7-76093-0	Grommet 25-5	1	For E-type
1-37	3C8-09081-1	Blind Plate	1	

1-38	3C8-09082-0	Gasket, Blind Plate	1	
1-40	9701-1-1005-P	Spark Plug	3	BE1H10
1-41	309-06972-0	Clamp	1	
1-42	910113-0610	Bolt	1	

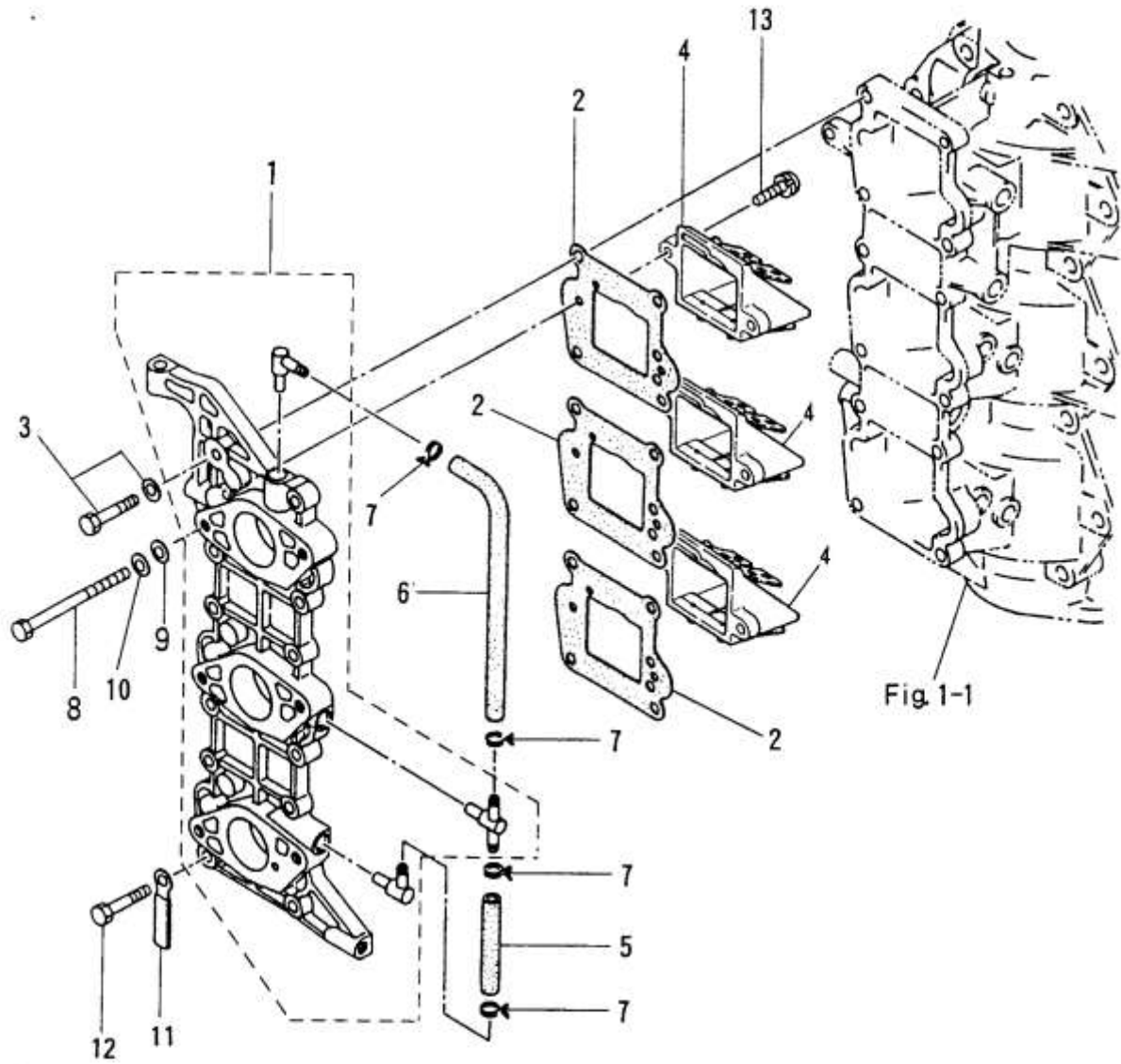
Fig. 2. Piston - Crankshaft



Reference No.	Part No.	Description	Quantity	Remarks
2-1	3C8-00030-0	Crank Shaft	1	
2-1-1	3J2-00114-0	Ball Bearing 6305	1	#53782
2-1-2	3C8-09060-0	Drive Gear, Oil Pump	1	
2-1-3	945107-2500	C-Ring d=25	1	
2-2	3C8-00113-0	Main Bearing – Upper	1	
2-2-1	3C8-00121-0	Oil Seal 32-42-6	1	
2-3	3C8-00108-0	O-Ring, 2.4-39-7	1	

2-4	345-00042-0	Needle Bearing 17-21-27	3	
2-5	3C8-00001-3	Piston (standard)	3	
2-6	356-00011-0	Piston Ring 1 st (std)	3	
2-7	346-00011-0	Piston Ring 2 nd (std)	3	
2-8	3C-00021-0	Piston Pin	3	
2-9	334-00024-	1Clip, Piston Pin	6	
2-10	346-00115-0	Thrust Plate, Crank Shaft	2	
2-11	334-00131-0	Key, Magneto	1	

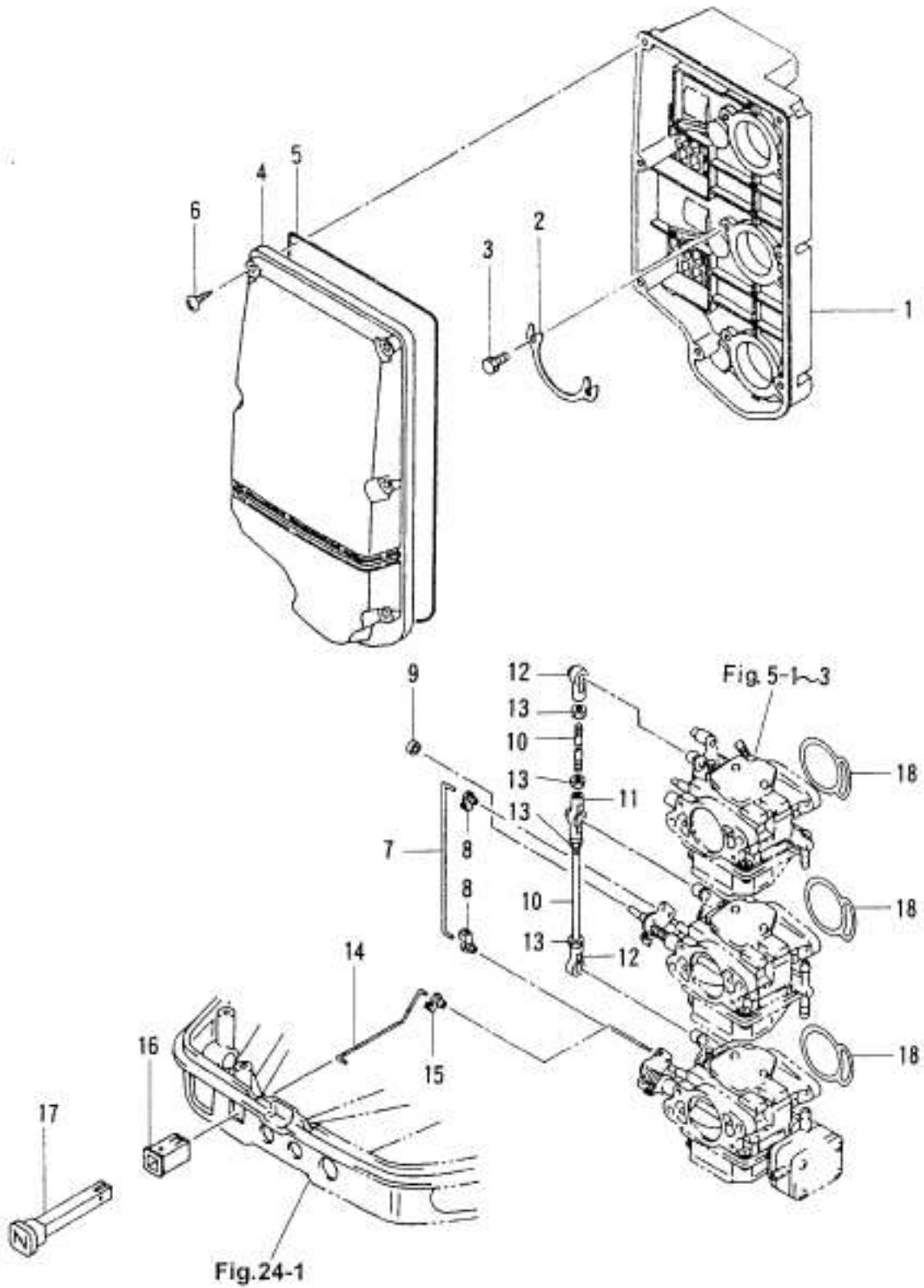
Fig. 3. Inlet Reed Valve



Reference No.	Part No.	Description	Quantity	Remarks
3-1	3E3B02020-0	Inlet Manifold	1	
3-2	3C8-02104-0	Gasket, Inlet Manifold	3	
3-3	910114-5625	Bolt	11	
3-4	3T5-02100-0	Reed Valve Assembly	3	
3-5	98AB-5-0065	Pipe	1	
3-6	98AB-5-0155	Pipe	1	
3-7	338-02215-0	Clip # 10	4	

3-8	916181-0685	Bolt	6	
3-9	940121-0600	Washer	6	
3-10	941322-0600	Spring Washer	6	
3-11	309-06972-0	Clamp, 6.5-47.5P	1	
3-12	910121-0625	Bolt	1	
3-13	921521-6516	Screw	6	

Fig. 4. Air Silencer

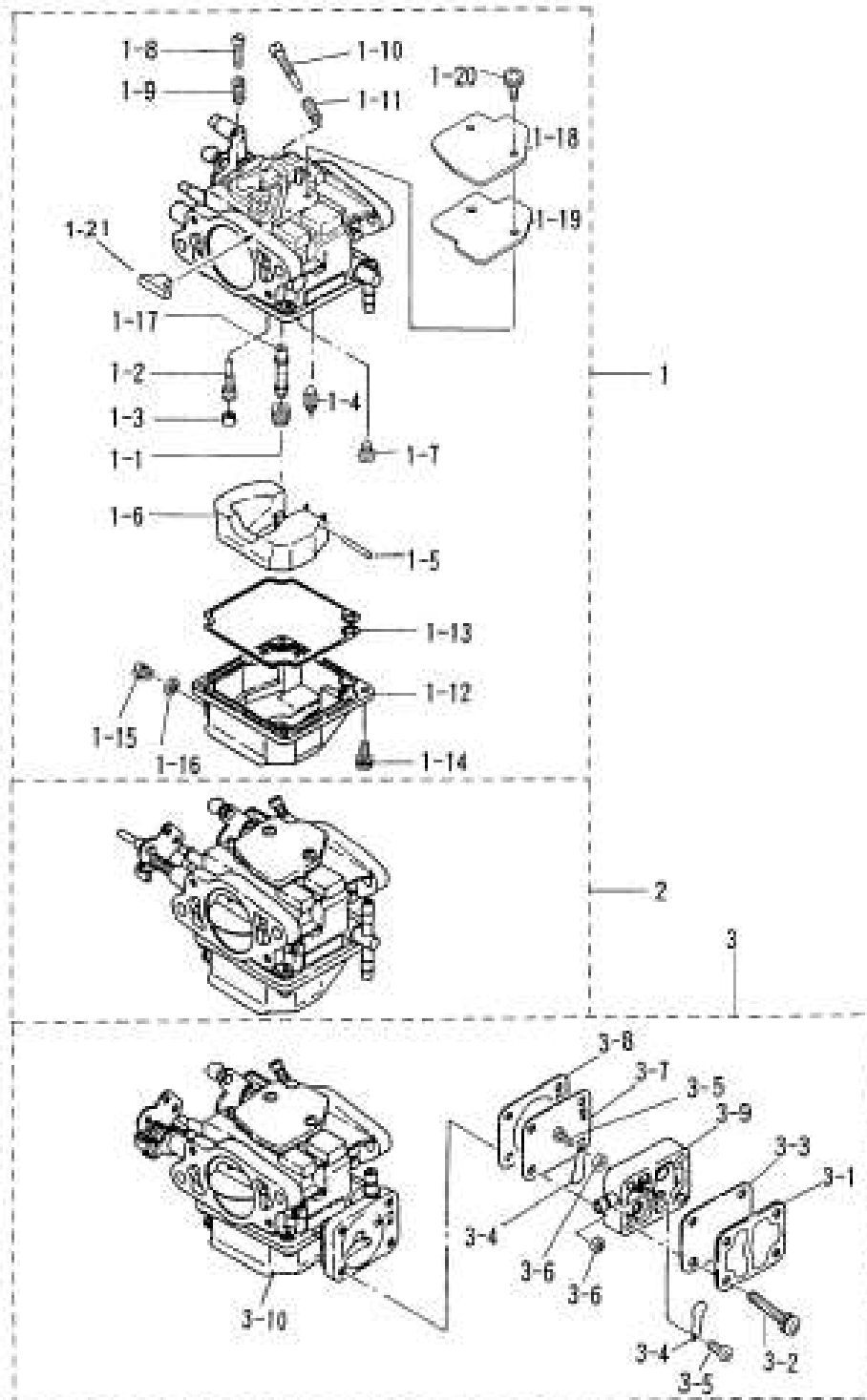


Reference No.	Part No.	Description	Quantity	Remarks
4-1	3E3-02411-0	Air Silencer	1	
4-2	3C8-02417-0	Lock Plate, Air Silencer	3	
4-3	3C8-02420-0	Bolt, 5/16 Pre-coated	6	
4-4	3C8-02415-0	Cover, Air Silencer	1	
4-5	3C8-02418-0	Seal Rubber, Air Silencer	1	
4-6	3F3-02423-0	Tapping Screw 5-30	7	
4-7	3C8-67191-0	C-link 3-90	1	

4-8	346-67196-1	Rod Snap, 3-B	2	
4-9	353-03271-0	Stopper, Chock Solenoid Hook	1	EP947
4-10	348-63717-0	Link Rod 5-68	2	
4-11	3B705229-0	Cap "B", Ball Joint	1	
4-12	3B7-05243-0	Cap "C", Ball Joint	2	
4-13	9301065-0500	Nut	4	
4-14	3C8-67192-0	Rod, Choke Link	1	
4-15	346-67196-1	Rod Snap, 3-B	1	

4-16	3C8-67156-0	Bushing, Choke Knob	1	
4-17	3C8-67151-0	Chock Knob	1	
4-18	3E3-02011-0	Gasket, Carburetor	3	

Fig. 5 Carburetor



Reference No.	Part No.	Description	Quantity	Remarks
5-1	3E3-03200-3	Carburetor, Upper	1	#59260
5-1-1	3E3-03445-0	Main Jet #132	1	*2 Upper, Center
	3E3-03151-1	Main Jet #135	1	*1 Lower
5-1-2	3M2-03152-0	Slow Jet #80	1	*3 Lower
5-1-3	3C8-03169-0	Plug	1	*3
5-1-4	3E3-03147-0	Float Valve	1	*3
5-1-5	3C8-03126-0	Arm Pin, Float	1	*3

5-1-6	3c8-03125-0	Float	1	*3
5-1-7	921722-0410	Screw	1	*3
5-1-8	3C8-03179-0	Stop Screw	1	Upper Carburetor
5-1-9	3C8-03157-0	Spring "A"	1	Upper Carburetor
5-1-10	3C8-03156-0	Adjust Screw	1	Upper Center *3 Lower
5-1-11	3C8-03157-0	Spring "B"	1	*3
5-1-12	3C8-03120-0	Float Chamber	1	*2 Upper, Center
5-1-13	3C8-03121-0	Gasket	1	*3 Lower, Upper Center

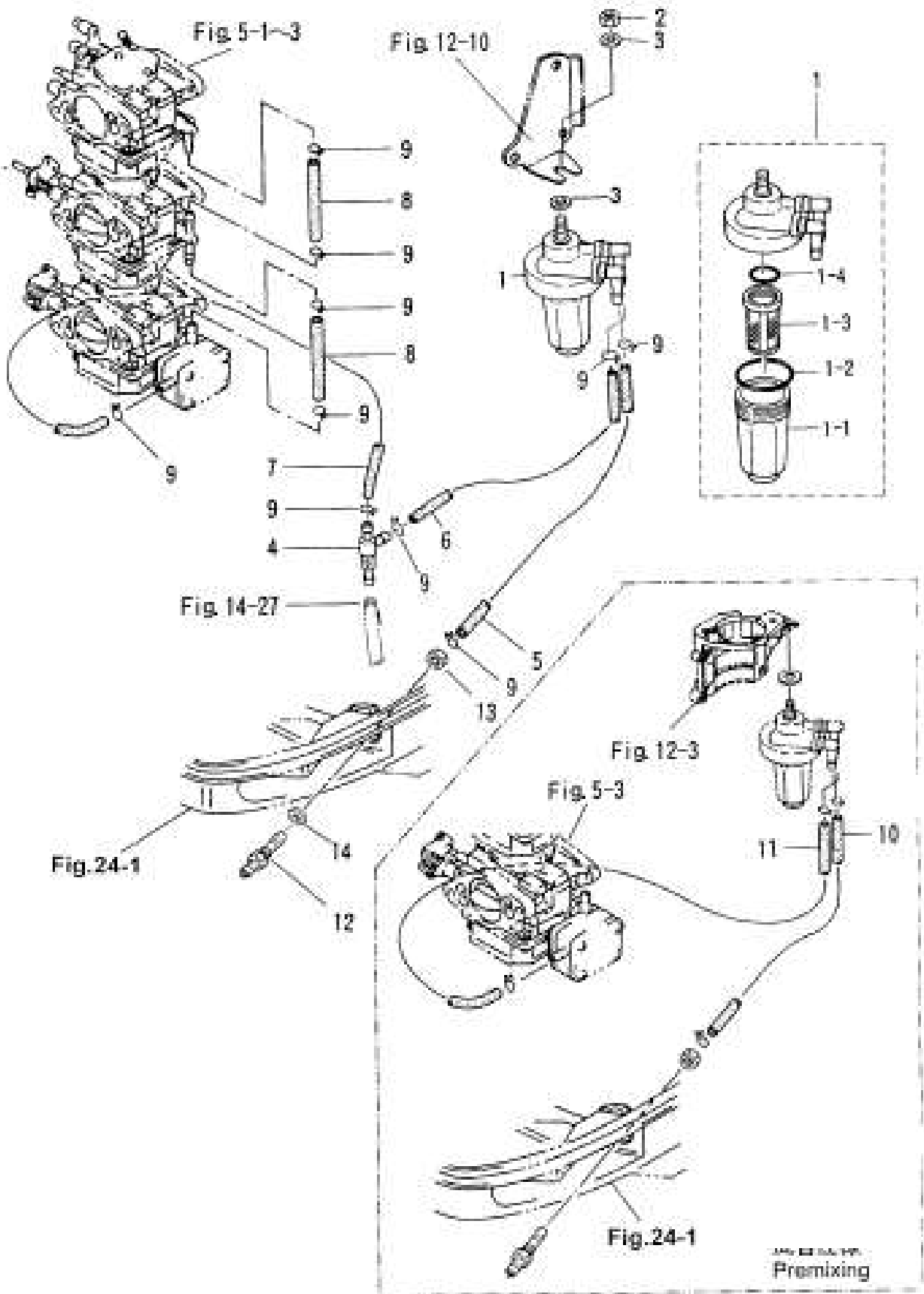
5-1-14	922532-0412	Screw	4	*3
5-1-15	910332-0405	Drain Screw	1	*3
5-1-16	3C6-03193-0	Gasket	1	*3
5-1-17	3E3-03141-0	Main Nozzle	1	*3
5-1-18	3C8-03181-0	Carburetor Cover	1	*3
5-1-19	3c8-03182-0	Gasket, Carburetor Cover	1	*3
5-1-20	922522-6410	Screw	2	*3 or 922503-6410
5-1-21	3C8-03183-0	Grommet	1	*3

5-2	3E3-03207-3	Carburetor Center	1	#59260
5-3	3E3-03210-3	Carburetor Lower	1	#59260
5-3-1	3C8-04004-0	Pump Cover	1	
5-3-2	922531-6525	Screw	4	
5-3-3	3C8-04018-0	Gasket, Pump Cover	1	
5-3-4	350-04014-0	Check Valve	2	

5-3-5	921703-0305	Screw	2	
5-3-6	930203-0300	Nut	2	

5-3-7	350-04005-0	Diaphragm Pump	1	
5-3-8	3C8-04028-0	Gasket, Pump Body	1	
5-3-9	3C8-04002-0	Pump Body	1	
5-3-10	3C8-03123-0	Float Chamber (Lower)	1	

Fig. 6 Fuel Line

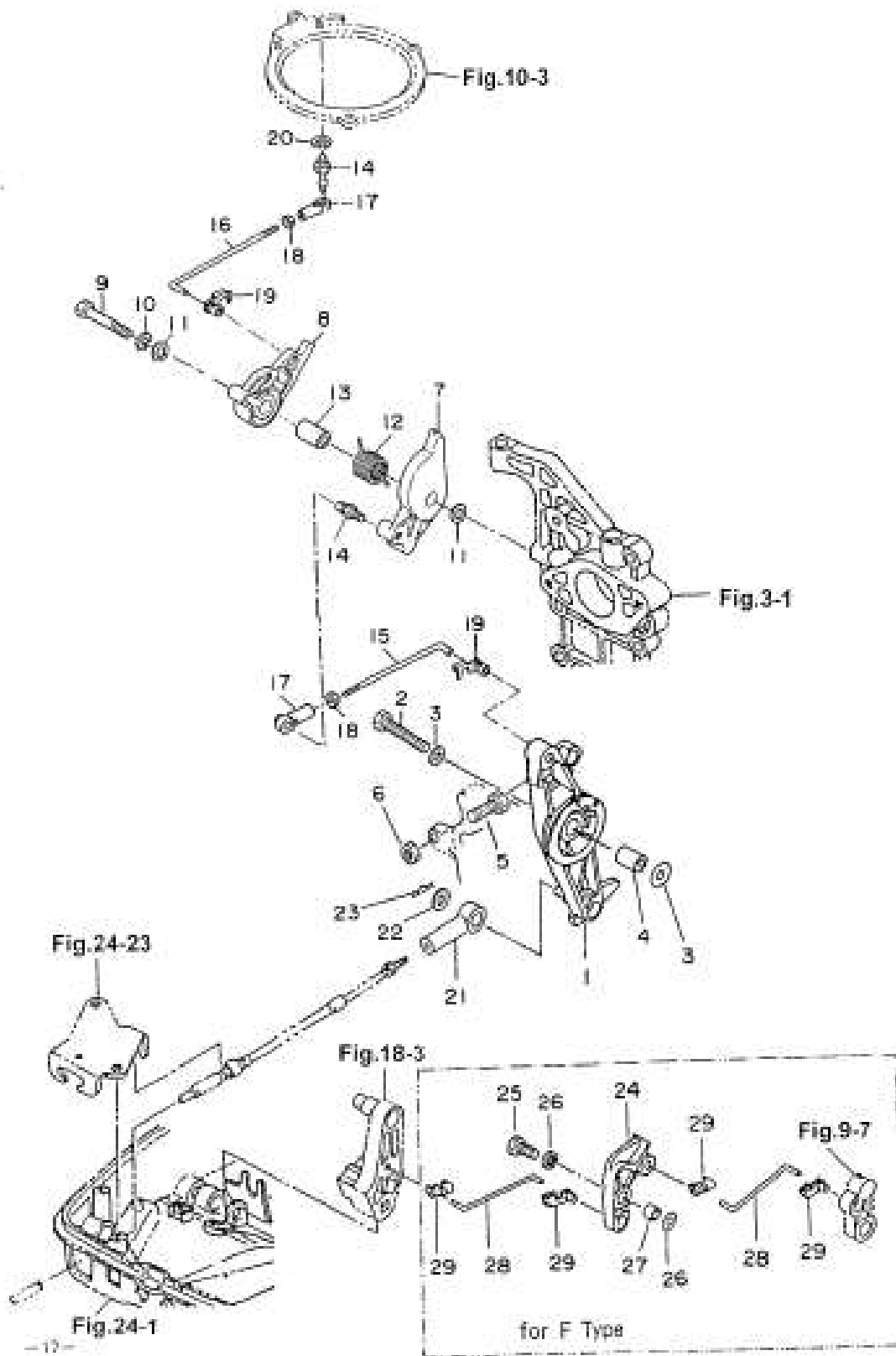


Reference No.	Part No.	Description	Quantity	Remarks
6-1	3B7-02230-0	Fuel Filter	1	
6-1-1	3B7-02237-0	Cap	1	
6-1-2	3B7-02235-0	O-Ring "A"	1	
6-1-3	3B7-02234-0	Filter	1	
6-1-4	3B7-02236-0	O-Ring "B"	1	
6-2	930106-0800	Nut	1	Or 940113-0800
6-3	940103-0800	Washer	2	Or 940113-0800

6-4	3C8-09075-0	Check Valve	1	
6-5	98AB-5-0215	Fuel Pipe	1	
6-6	98AB-5-0300	Fuel Pipe	1	
6-7	98AB-5-0200	Fuel Pipe	1	
6-8	98AB-5-0080	Fuel Pipe	2	
6-9	338-02215-0	Clip #10	8	
6-10	98AB-5-0350	Fuel Pipe	1	
6-11	98AB-5-0530	Fuel Pipe	1	

6-12	3B2-70260-1	Fuel Connector (Male)	1	
6-13	332-70261-0	Nut 10-P 1.25	1	
6-14	336-70112-0	Gasket 10.2-16-0.5	1	

Fig. 7 Throttle



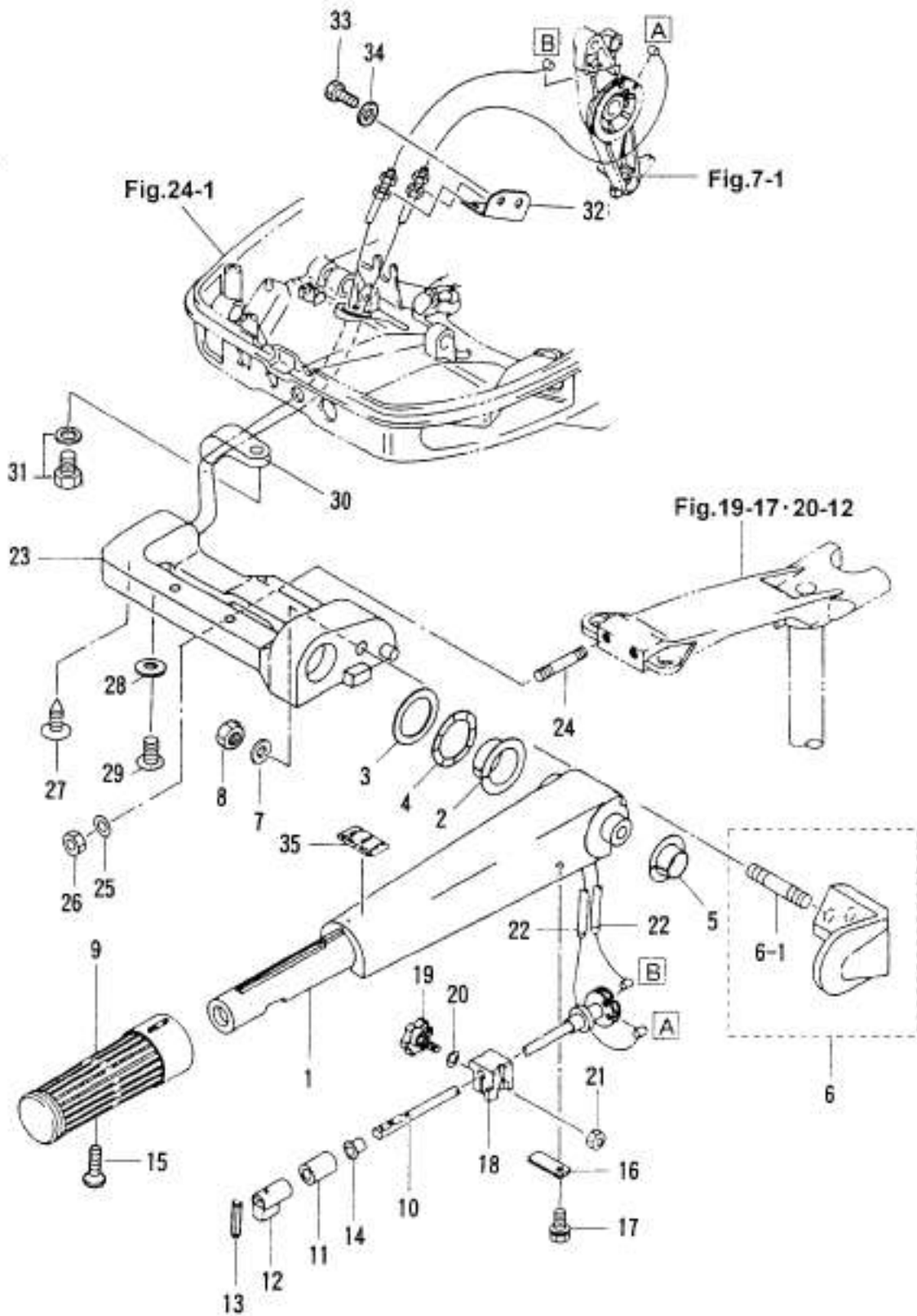
Reference No.	Part No.	Description	Quantity	Remarks
7-1	3C8-63711-1	Advancer Arm	1	
7-2	910103-0635	Bolt	1	
7-3	346-67115-0	Washer 6.521-1	2	
7-4	3C8-63732-0	Collar, 6.2-12-17	1	
7-5	910103-0630	Bolt	1	Or 910113-0630
7-6	930103-0600	Nut	1	Or 930113-0600
7-7	3E3-63718-1	Throttle Cam	1	#59260

7-8	3E3-63712-0	Advancer Lever	1	#59260
7-9	910103-0640	Bolt	1	
7-10	941303-0600	Spring Washer	1	
7-11	3R0-66308-0	Washer 6-16-1.5	2	Or 3C8-66308-0
7-12	3E3-63727-0	Spring, Throttle Cam	1	#59260
7-13	3E363721-0	Collar, 6.5-10.5-26-3	1	
7-14	346-05228-0	Ball Joint "B"	2	
7-15	3E3-63709-0	I-Link 5-105	1	#59260

7-16	3E3-63716-0	L-Link 5-90	1	#59260
7-17	3B7-05243-0	Cap "C" Ball Joint	2	
7-18	930106-0500	Nut	2	or 930103-0500
7-19	3C8-63733-0	Rod Snap, 5-3	2	
7-20	941303-0600	Spring Washer	1	
7-21	3B7-83715-0	Cable Joint	1	
7-22	353-83719-0	Washer 8.5-18-1.6	1	
7-23	951603-0800	R-pin, d=8	1	

7-24	3C8-05213-0	Arm, Throttle Stop	1	
7-25	910114-0625	Bolt	1	
7-26	940103-0600	Washer	2	
7-27	353-76079-0	Collar, 6.2-9-9.3	1	
7-28	3C8-05221-0	S-Link, 3.5-56	2	
7-29	3C8-05223-0	Rod Snap "B" 3.5-4	4	

Fig. 8. Steering Handle



Reference No.	Part No.	Description	Quantity	Remarks
8-1	3C8S63011-1	Steering Handle	1	
8-2	3C8-63101-0	Bushing "A"	1	
8-3	3B2-63108-0	Washer 30-45-1	1	
8-4	3B2-63109-0	Wave Washer 30-45-1.2	1	
8-5	3C863102-1	Bushing "B"	1	
8-6	3C8S63027-0	Holder, Steering Handle	1	
8-6-1	915313-1022	Stud Bolt	1	

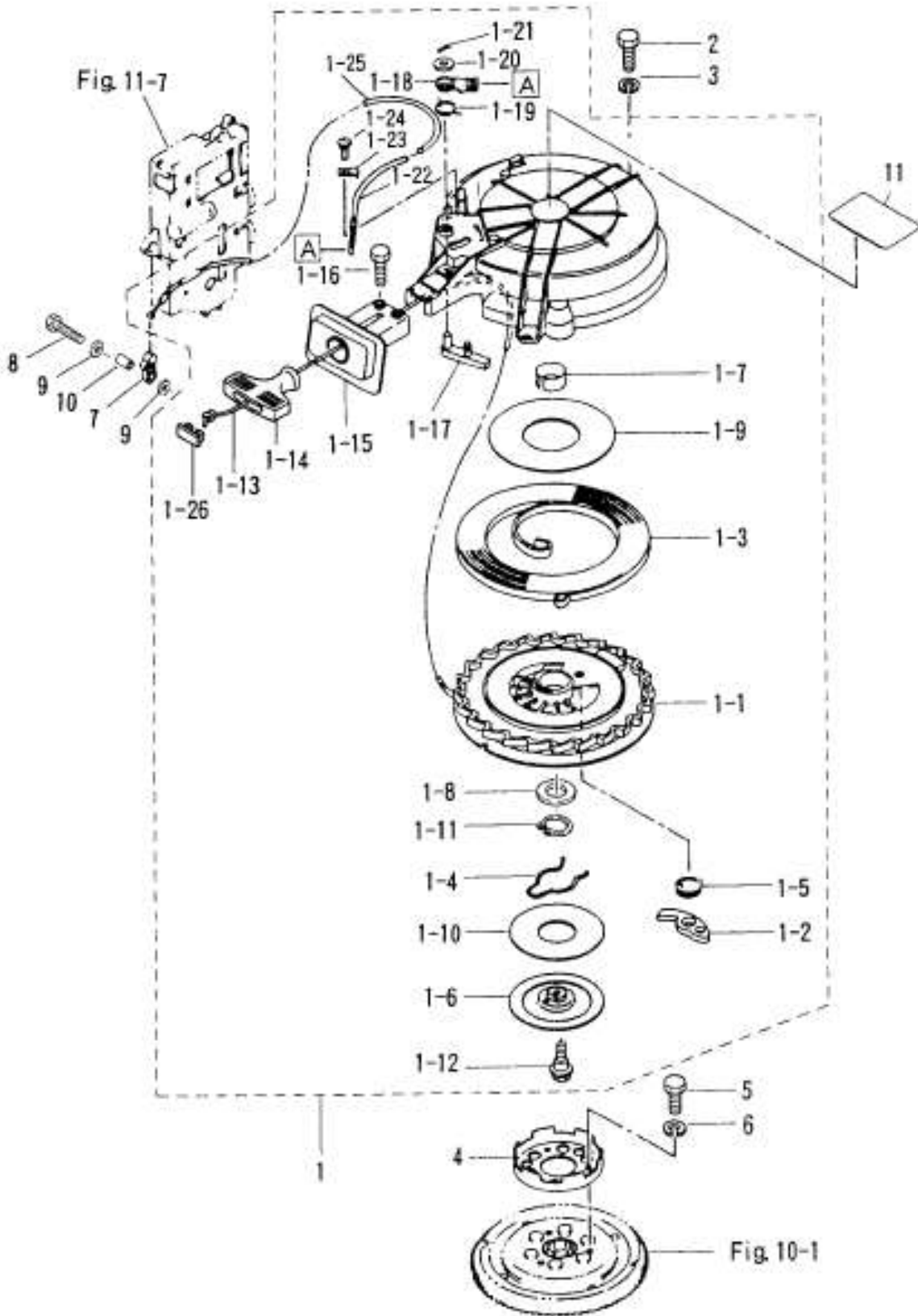
8-7	940103-1000	Washer	1	
8-8	930103-1000	Nut 10-P 1.5	1	
8-9	398-63012-0	Grip	1	
8-10	3C8-63041-1	Throttle Shaft	1	
8-11	345-63048-0	Rubber, Throttle Shaft	1	
8-12	398-63053-0	Spacer, Throttle Shaft	1	
8-13	951403-0310	Spring Pin 3-10	1	
8-14	350-63046-0	Bushing, 8.4-10-11	1	

8-15	921803-0525	Screw	1	
8-16	3C8-63063-0	Supporter, Throttle Shaft	1	
8-17	910103-5612	Bolt	1	or 910113-5612
8-18	3B2-63035-1	Friction Piece, Grip	1	
8-19	3B2-63034-0	Adjust Screw	1	
8-20	940103-0600	Washer	1	or 940113-0600
8-21	930103-0600	Nut	1	
8-22	3C8-63600-0	Throttle Cable	2	

8-23	3C8S62001-2	Steering Bracket	1	
8-24	915213-0845	Stud Bolt	2	
8-25	940103-0800	Washer	2	or 940113-0800
8-26	930403-0800	Nylon Nut 8-P 1.25	2	
8-27	3C8-63607-0	Clip, Throttle Cable	1	
8-28	3R0-66308-0	Washer, 6-16-1.5	1	or 3C8-66308-0
8-29	921513-0610	Screw	1	

Reference No.	Part No.	Description	Quantity	Remarks
8-30	345-06915-0	Clamp 6.5-14L	1	
8-31	910113-5612	Bolt	1	
8-32	3C8-63508-0	Bracket, Throttle Cable	1	
8-33	910114-0614	Bolt	2	
8-34	940113-0600	Washer	2	
8-35	369-72019-1	Label, Throttle	1	

Fig. 9. Recoil Starter



Reference No.	Part No.	Description	Quantity	Remarks
9-1	3C8-05090-1	Recoil Starter	1	
9-1-1	3C8-05106-0	Reel	1	
9-1-2	3C8-05003-0	Ratchet	1	
9-1-3	3C8-05004-0	Starter Spring	1	
9-1-4	3C8-05007-0	Friction Spring	1	
9-1-5	3C8-05012-0	Return Spring	1	
9-1-6	3C8-05006-0	Friction Plate	1	

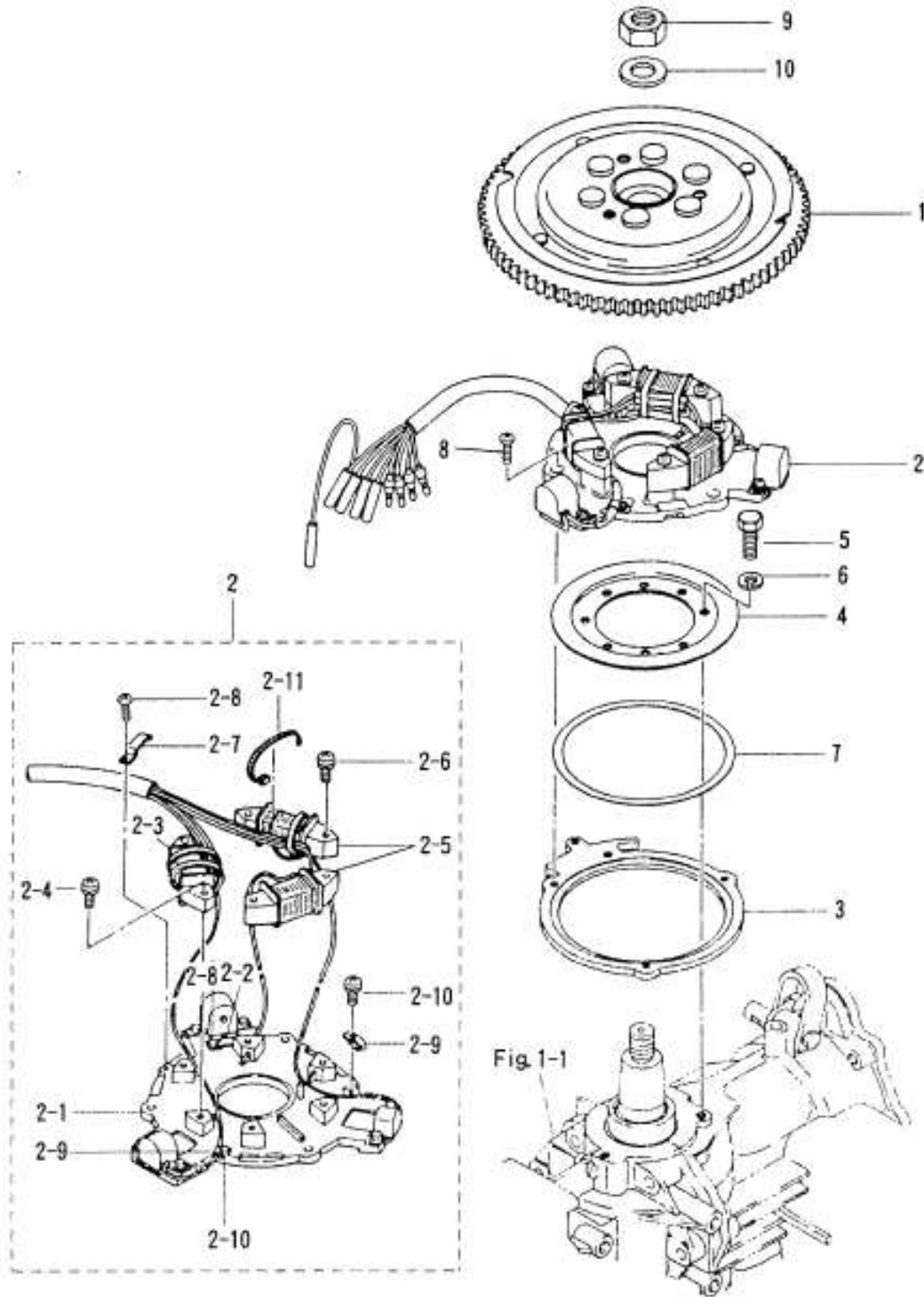
9-1-7	3C8-05107-0	Bushing	1	
9-1-8	3C8-05108-0	Washer	1	
9-1-9	3C8-05023-0	Sliding Plate	1	
9-1-10	3C8-05029-0	Sliding Plate	1	
9-1-11	945127-2800	C-Ring	1	
9-1-12	3C8-05138-0	Bolt	1	
9-1-13	3C8-05013-0	Starter Rope	1	6-2250
9-1-14	3C8-05019-0	Starter Handle	1	

9-1-15	3C8-05014-0	Guide, Starter Rope	1	
9-1-16	3C8-05138-0	Bolt	2	
9-1-17	3C8-05252-0	Reel Stopper	1	
9-1-18	3C8-05253-0	Stopper Arm	1	
9-1-19	3C8-05216-0	Stopper Spring	1	
9-1-20	3C8-05237-0	Washer	1	
9-1-21	951503-1520	Split Pin	1	
9-1-22	3C8-05217-0	Cable	1	

9-1-23	3C8-05257-0	Cable Holder	1	
9-1-24	922431-0510	Screw	1	
9-1-25	3C8-05238-0	Pipe	1	
9-1-26	3R3-05131-0	Cap, Starter Handle	1	
9-2	910114-0625	Bolt	3	
9-3	941303-0600	Spring Washer	3	
9-4	3C8-05901-0	Starter Pulley	1	
9-5	910114-0818	Bolt	3	

9-6	941303-0800	Spring Washer	3	
9-7	3C8-05211-0	Arm, Starter Lock	1	
9-8	910114-0625	Bolt	1	
9-9	940103-0600	Washer	2	
9-10	353-76079-0	Collar, 6.2-9-9-3	1	
9-11	3C7-72182-2	Caution Label (CE-C)	1	

Fig. 10. Magneto

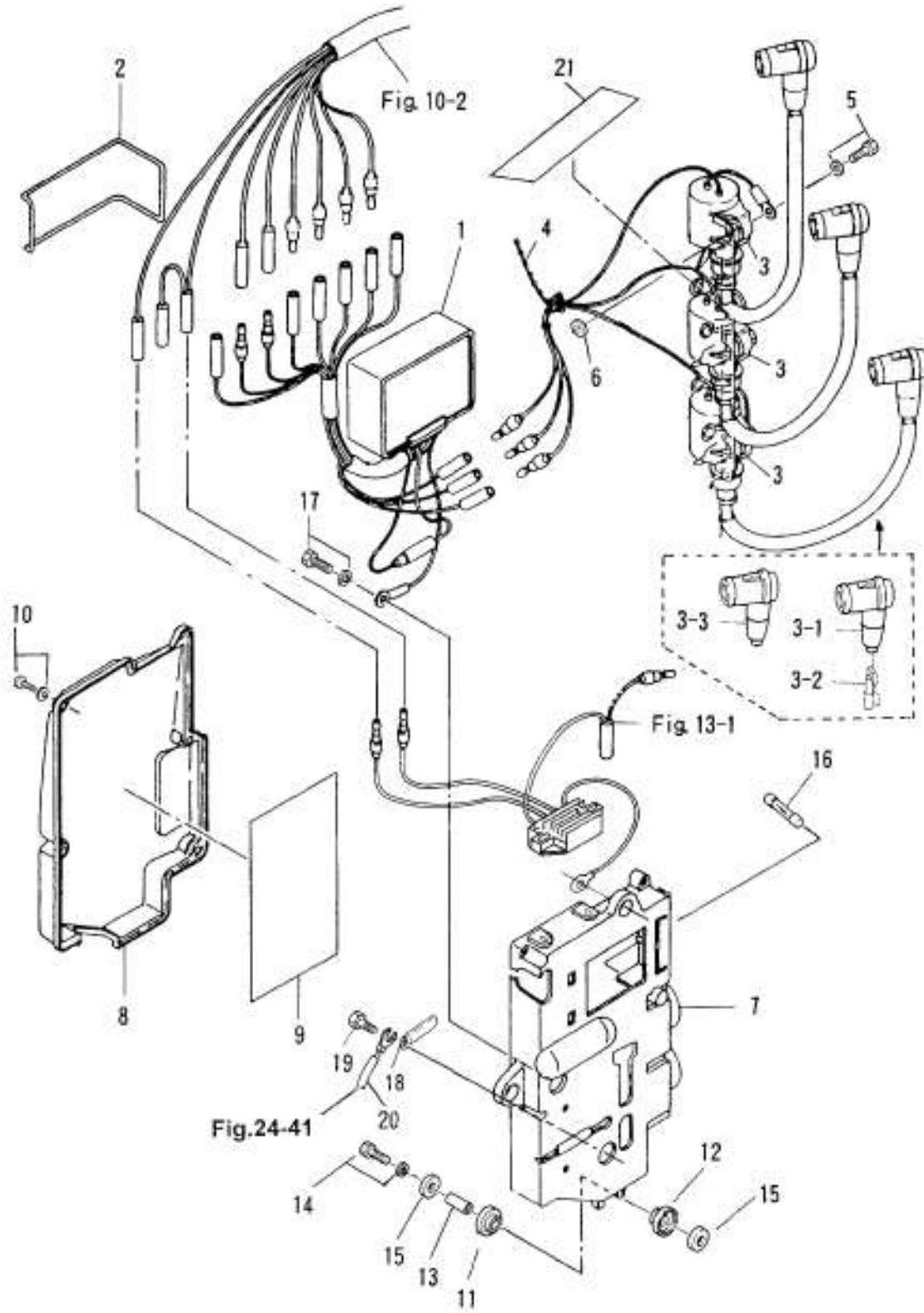


Reference No.	Part No.	Description	Quantity	Remarks
10-1	3C8-06101-1	Flywheel Cup (F4T405-72)	1	#54652
10-2	3C8-06103-2	Coil Plate Assembly	1	
10-2-1	3C8-06130-2	Pulser Plate Assembly	1	
10-2-2	3B7-06131-0	Pulser Holder	1	
10-2-3	3C8-06120-1	Exciter Coil	1	
10-2-4	921521-6630	Screw	2	
10-2-5	3C8-06123-1	Alternator	1	#54652

10-2-6	921521-6630	Screw	4	
10-2-7	3B7-06135-0	Holder, Magneto Cord	1	
10-2-8	922521-0406	Screw	2	
10-2-9	3B7-06132-0	Clamp, Pulser	2	
10-2-10	922521-6406	Screw	2	
10-2-11	3B7-06133-0	Band, Lead Wire	1	
10-3	3B7-63723-0	Set Ring	1	
10-4	346-63722-2	Guide Plate	1	

10-5	910121-0616	Bolt	3	
10-6	941322-0600	Spring Washer	3	
10-7	3C8-63745-0	Shim, 110-122-0.15	As Req.	
	3C8-63746-0	Shim, 110-122-0.25	As Req.	
	3C8-63746-0	Shim, 110-122-0.25	As Req.	
10-8	921503-6510	Screw	3	#58631
10-9	353-00132-0	Nut, 18-P 1.5	1	
10-10	353-00133-0	Washer, 19-34-3	1	

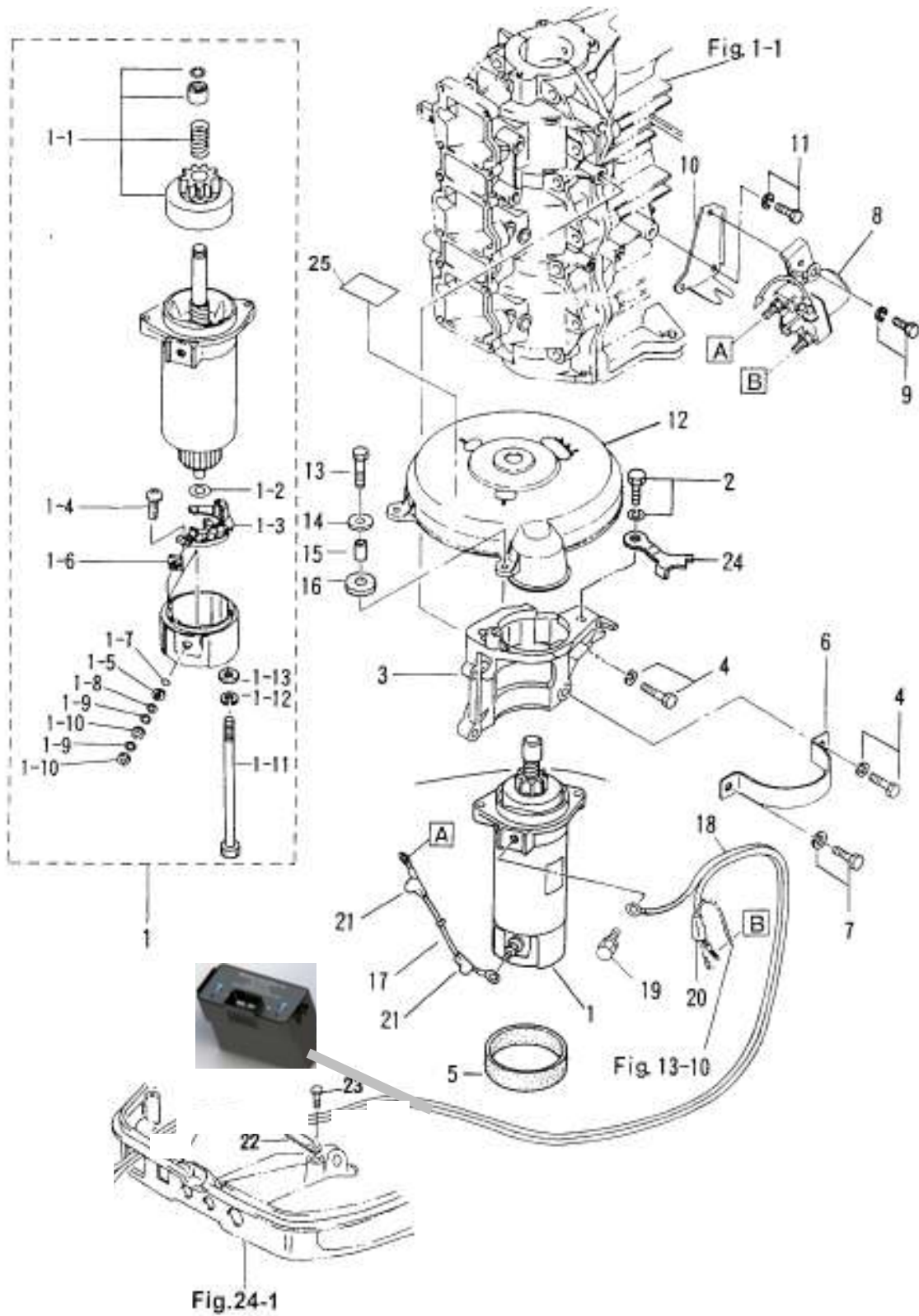
Fig. 11. Electric Parts (C.D. Unit)



Reference No.	Part No.	Description	Quantity	Remarks
11-1	3C8-06160-0	C.D. Unit	1	
11-2	3B7-60103-0	O-Ring, 3.1-94.4	1	
11-3	3C7-06040-0	Ignition Coil (with Resistance Cap)	3	
11-3-1	3M2-06291-0	Plug Cap	3	
11-3-2	3M2-06926-0	Terminal, Plug Cap	3	
11-3-3	3C7-069221-0	Plug Cap (with Resistance)	3	
11-4	336-76091-0	Band, Lead Wire	1	

11-5	910103-5620	Bolt	3	or 910113-5620
11-6	151-33159-0	Gasket, 6.2-11-1	3	
11-7	3C8B06901-0	Electric Bracket	1	
11-8	3C8-06902-0	Cover, Electric Bracket	1	
11-9	3C8-72028-0	Label, Wiring Diagram	1	
11-10	921503-5514	Screw	5	
11-11	346-67113-0	Mount Rubber, 8.5-14-2.5	3	
11-12	3B7-06920-0	Mount Rubber, 8.5-14-2.5	3	

11-13	346-67114-0	Spacer, 6.2-9-15.7	3	
11-14	910103-6630	Bolt	3	
11-15	346-67115-0	Washer, 6.5-21-1	6	
11-16	353-76213-0	Fuse, Spare	1	
11-17	910403-5612	Bolt	1	
11-18	309-06972-0	Clamp, 6.5-47.5P	1	
11-19	910403-0612	Bolt	1	
11-20	3N4-76142-0	Ground Cable	1	
11-21	3C8-72181-0	Caution Label (CE-B)	1	



Reference No.	Part No.	Description	Quantity	Remarks
12-1	3C8-76010-1	Starter Motor	1	
12-1-1	3C8-76015-0	Pinion	1	
12-1-2	3C8-75015-0	Washer	1	
12-1-3	3C8-75014-0	Brush Holder	1	
12-1-4	921521-6408	Screw	2	
12-1-5	3C8-75016-0	Bushing 1	1	
12-1-6	3C8-75017-0	Bushing 2	1	

12-1-7	3C8-75018-0	O-Ring	1	
12-1-8	940103-0600	Washer	1	
12-1-9	941303-0600	Spring Washer	2	
12-1-10	930203-0600	Nut	2	
12-1-11	3C8-75019-0	Bolt	2	
12-1-12	941321-0500	Spring Washer	2	
12-1-13	940221-0500	Washer	2	

12-2	910103-5825	Bolt	2	
12-3	3C8-B05101-0	Bracket, Starter Motor	1	
12-4	910103-5825	Bolt	4	
12-5	3C8-76007-0	Rubber, Starter Motor	1	
12-6	3C8-76009-0	Band, Starter Motor	1	
12-7	910103-5820	Bolt	1	or 910113-5820
12-8	346-76040-0	Starter Solenoid	1	
12-9	910103-6616	Bolt	1	

12-10	3C8-71035-0	Bracket Starter Solenoid	1	
12-11	910103-6614	Bolt	2	
12-12	3C8-06301-0	Cover, Ring Gear	1	
12-13	910103-0625	Bolt	3	
12-14	3R0-66308-0	Washer, 6-16-1.5	3	
12-15	353-76079-0	Collar, 6.2-9-9.3	3	
12-16	3B7-06305-0	Mount Rubber, 9-16-4.3	3	
12-17	3C8-76141-0	Starter Cord	1	

Reference No.	Part No.	Description	Quantity	Remarks
12-18	3B7-76120-0	Battery Cord	1	
12-19	910103-5612	Bolt	1	
12-20	3B7-76145-0	Cap Cord	1	
12-21	3A3-76145-0	Cap Cord	2	
12-22	309-06972-0	Clamp, 6.5-47.5P	1	
12-23	910103-0610	Bolt	1	
12-24	3C8-06105-0	Stopper, Coil Plate	1	
12-25	3C7-72182-2	Caution Label (CE-C)	1	

Reference No.	Part No.	Description	Quantity	Remarks
13-1	3B7-76065-3	Rectifier	1	
13-2	921503-7625	Screw	2	
13-3	361-76050-0	Choke Solenoid	1	
13-3-1	361-76073-0	Plunger, Choke Solenoid	1	
13-4	921503-6408	Screw	3	
13-5	3C8-76055-0	Bracket, Choke Solenoid	1	
13-6	910103-6616	Bolt	2	

13-7	3C8-76057-0	Hook, Choke Solenoid	1	
13-8	951403-0312	Spring Pin, 3-12	1	
13-9	3C8-76110-0	Cord Assembly "A"	1	
13-10	353-76062-1	Fuse Cable	1	
13-11	3C8-72580-0	Solenoid Switch "A" PTT	1	UP
13-12	3C8-72581-0	Solenoid Switch "B" PTT	1	Down
13-13	3C8-72582-0	Cord "A"	1	L=80
13-14	3C8-72583-1	Cord "B"	1	L=150

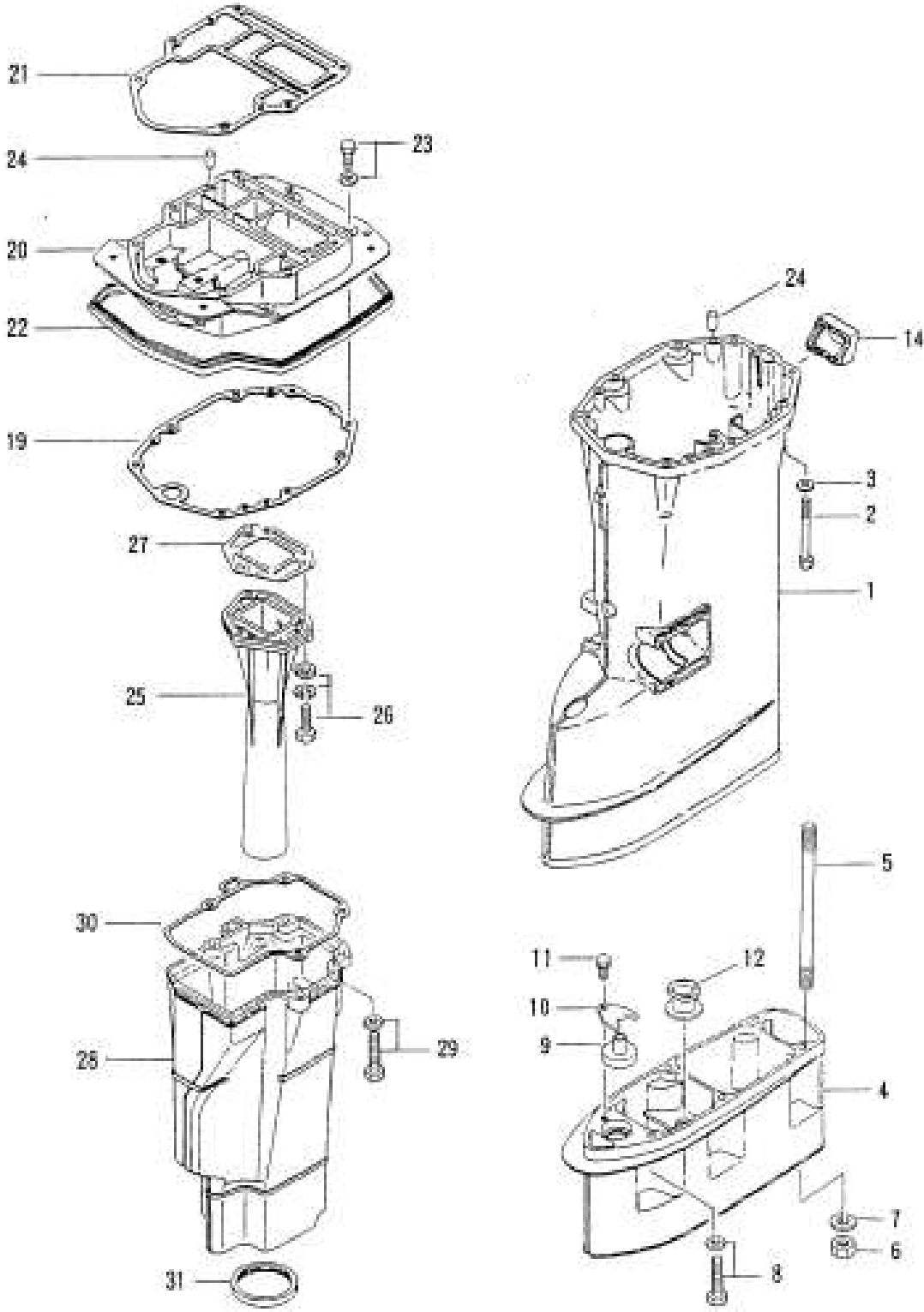
13-15	3C8-72588-0	Cord "C"	1	L=900
13-16	3C8-72589-0	Cord "D"	1	L=1100
13-17	3A3-76145-0	Cap Cord	6	
13-18	910103-5612	Bolt	2	or 910113-5612
13-19	3C8-76119-0	Cord Assembly "C"	1	
13-20	3C8-76171-0	Over-Heat Buzzer	1	Not Used
13-21	3C8-76172-0	Over-Heat Sensor	1	Not Used
13-22	353-66024-0	Stopper	1	
13-23	910103-6620	Bolt	1	

Fig. 14. Dewatering System



Reference No.	Part No.	Description	Quantity	Remarks
14-1	R50DW-	Dewatering side lever	1	
14-1-1	R50DW-8510	Dewatering Rod	1	
14-1-2	R50DW-8511	Dewatering rear lever	1	
14-1-3	R50DW-8512	Dewatering Valves	3	
14-1-4	R50DW-8513	Dewatering clamp	1	

Fig. 15. Gear Case (Drive Shaft)



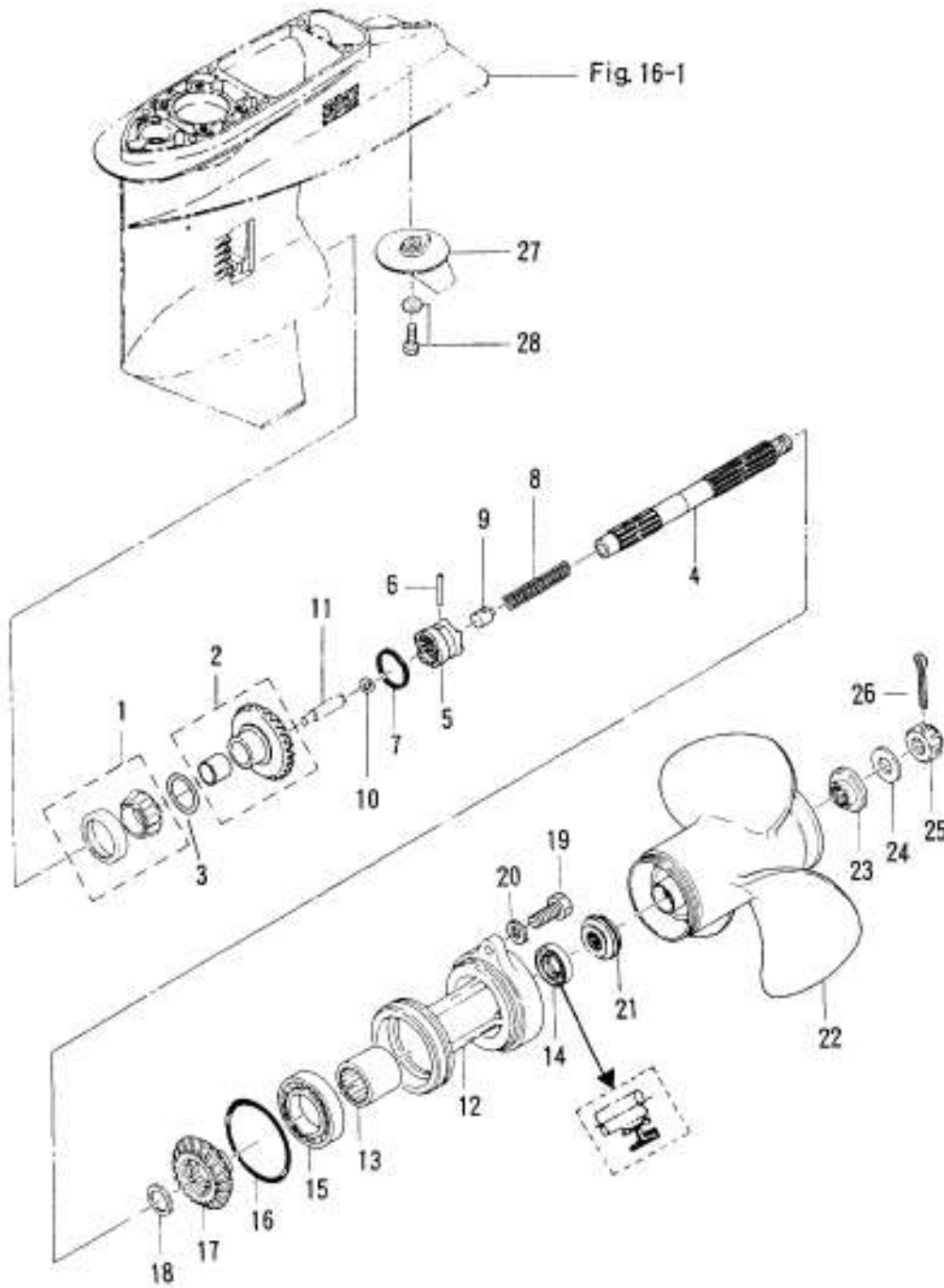
Reference No.	Part No.	Description	Quantity	Remarks
15-1	3C8S61192-0	Drive Shaft Housing - "L"		
15-2	916113-0880	Bolt	6	
15-3	940113-0800	Washer	6	
15-4	3C8S61110-0	Extension Housing	1	
15-5	346-61111-1	Stud Bolt, 8-104	6	
15-6	930113-0800	Nut	6	
15-7	940113-0800	Washer	6	

15-8	910113-5835	Bolt	6	
15-9	346-66037-0	Holder, Cam Rod	1	
15-10	353-66024-0	Stopper	1	
15-11	910103-6612	Bolt	1	
15-12	346-65204-0	Locking Rubber, Water Pipe	1	
15-13	Not Used			
15-14	3C8-61212-0	Grommet Apron	1	
15-15	Not Used			

15-16	Not Used			
15-17	Not Used			
15-18	Not Used			
15-19	3C8-61012-0	Gasket, Drive Shaft Housing	1	
15-20	3C8S01301-0	Engine Base	1	
15-21	3C8-01303-0	Gasket, Engine Base	1	
15-22	3R0-67116-0	Seal Rubber, Engine Base	1	
15-23	910113-5625	Bolt	4	

15-24	345-01111-0	Knock, 6-12	4	
15-25	3C8-02311-1	Exhaust Pipe	1	#59260
15-26	3C8-02319-0	Bolt, 8-30	3	
15-27	3C8-02312-0	Gasket, Exhaust Pipe	1	
15-28	3C8-61180-0	Exhaust Housing	1	
15-29	3C8-61184-0	Bolt	4	
15-30	3C8-61181-0	Gasket, Exhaust Housing	1	
15-31	3C8-61182-0	Grommet, Exhaust Housing	1	

Fig. 16. Gear Case (Propeller Shaft)



Reference No.	Part No.	Description	Quantity	Remarks
16-1	3C8S60000-0	Gear Case	1	For Transom L
16-1-1	345-60211-0	Needle Bearing, 22-30-30	1	
16-2	910113-5835	Bolt	6	
16-3	332-60005-2	Oil Plug	2	
16-4	332-60006-0	Gasket, 8.1-15-1	2	
16-5	3C8-60235-1	Water Strainer Set	1 Set	#60851
16-5-1	921503-0438	Screw	1	

16-5-2	930406-0400	Nylon Nut, 4P0.7	1	or 930403-0400
16-6	3C8-60204-0	Sub Water Strainer	1	
16-7	910113-5615	Bolt	1	
16-8	3B7-60015-1	Water Plug	1	
16-9	3B7-60016-0	Gasket, 10.1-15-1	1	
16-10	3C8-64302-0	Drive Shaft – L	1	
16-11	3C8-60213-0	Bearing, 6304	2	
16-12	3C8-64327-0	Spring, Drive Shaft	1	

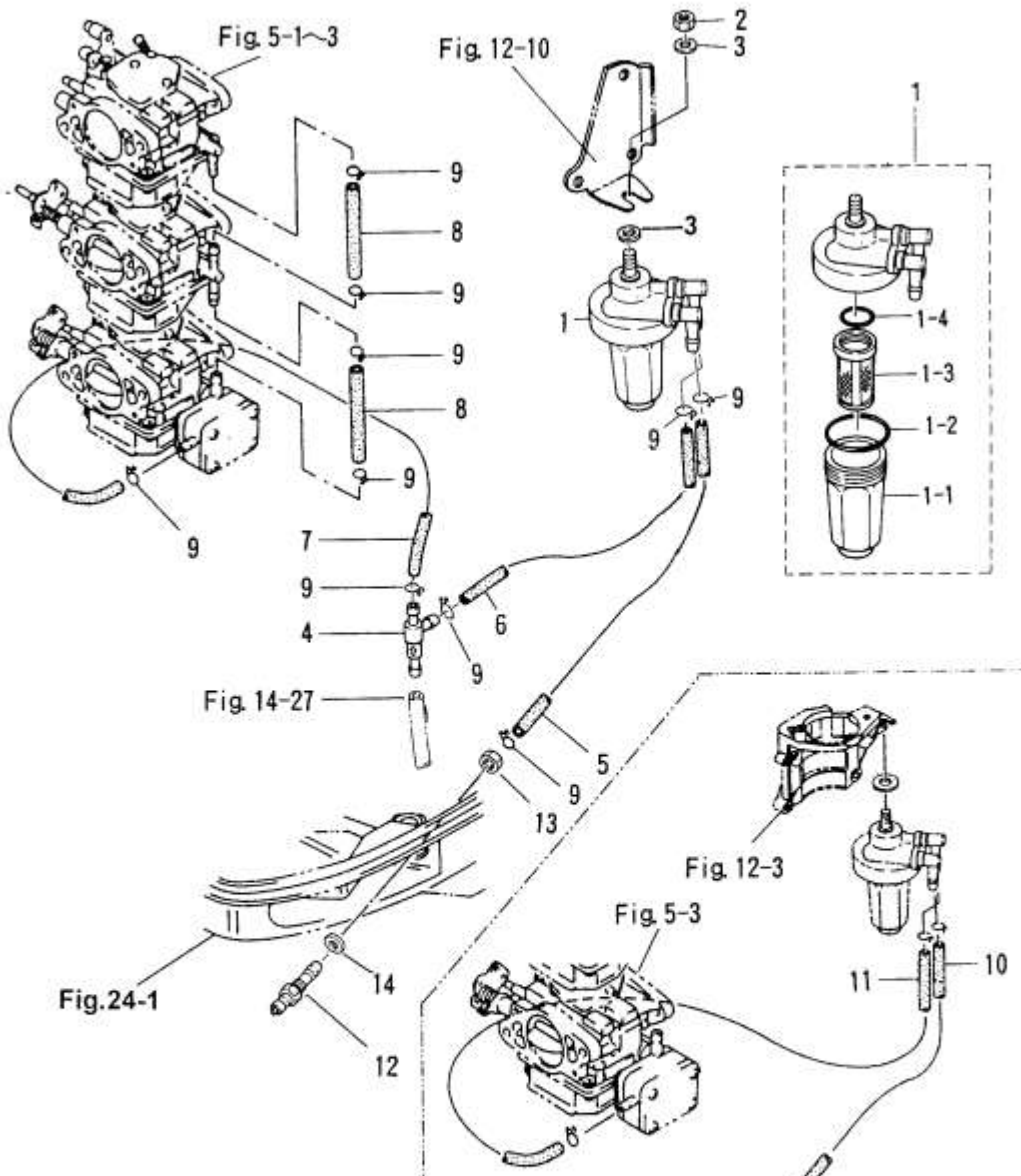
16-13	3C8-64020-2	Bevel Gear “B”	1	#037940XC
16-14	3C8-64027-0	Nut, Bevel Gear “B”	1	
16-15	345-64081-0	Shim, 41-51.5-0.1	AR	As Required
	345-64082-0	Shim, 41-51.5-0.15	AR	As Required
	345-64083-0	Shim, 41-51.5-0.30	AR	As Required
	345-64084-0	Shim, 41-51.5-0.50	AR	As Required
16-16	3C8-65021-2	Impeller, Water Pump	1	#62960
16-17	332-65022-0	Key, Water Pump Impeller	1	
16-18	3C8-65016-1	Pump, Case Upper	1	
16-19	3C8-65011-1	Liner, Pump Case	1	#59260
16-20	3C8-65018-1	Gasket, Pump Case Upper	1	#59260

16-21	3C8-65025-0	Guide Plate, Water Pump	1	
16-22	3C8-65029-0	Gasket, Pump Guide Plate	1	
16-23	3C8-65017-1	Pump Case Lower	1	
16-24	334-65012-0	Knock, 4-10	2	
16-25	3C8-60223-0	Oil Seal, 17-33-6	2	
16-26	3C8-64084-0	Shim, 32.9-26-0.5	1	
16-27	345-65015-0	O-Ring, 3.2-47	1	
16-28	910113-5855	Bolt	4	

Reference No.	Part No.	Description	Quantity	Remarks
16-29	3C8-65014-0	Seal Rubber Lower, Water Pipe	1	
16-30	3C8-65110-0	Water Pipe "L"	1	
16-31	345-65206-0	Seal Rubber Upper, Water Pipe	1	
16-32	345-65205-0	Collar, 18-20-4.5	1	
16-33	346-65204-0	Lock, Rubber Water Pipe	1	
16-34	3C8-66011-0	Clutch Cam	1	
16-35	951407-0312	Spring Pin, 3-12	2	

16-36	3C8-66013-0	Cam Rod "L"		
16-37	3C8-66031-1	Bushing, Cam Rod	1	
16-38	332-66021-0	O-Ring, 2.4-5.8	1	
16-39	3C8-66032-0	O-Ring, 3.5-21.7	1	
16-40	353-55024-0	Stopper	1	
16-41	910103-6612	Bolt	1	
16-42	3C8-66241-0	Joint, Shift Rod	1	
16-43	951403-0312	Spring Pin, 3-12	2	

Fig. 17. Multi-Fuel System

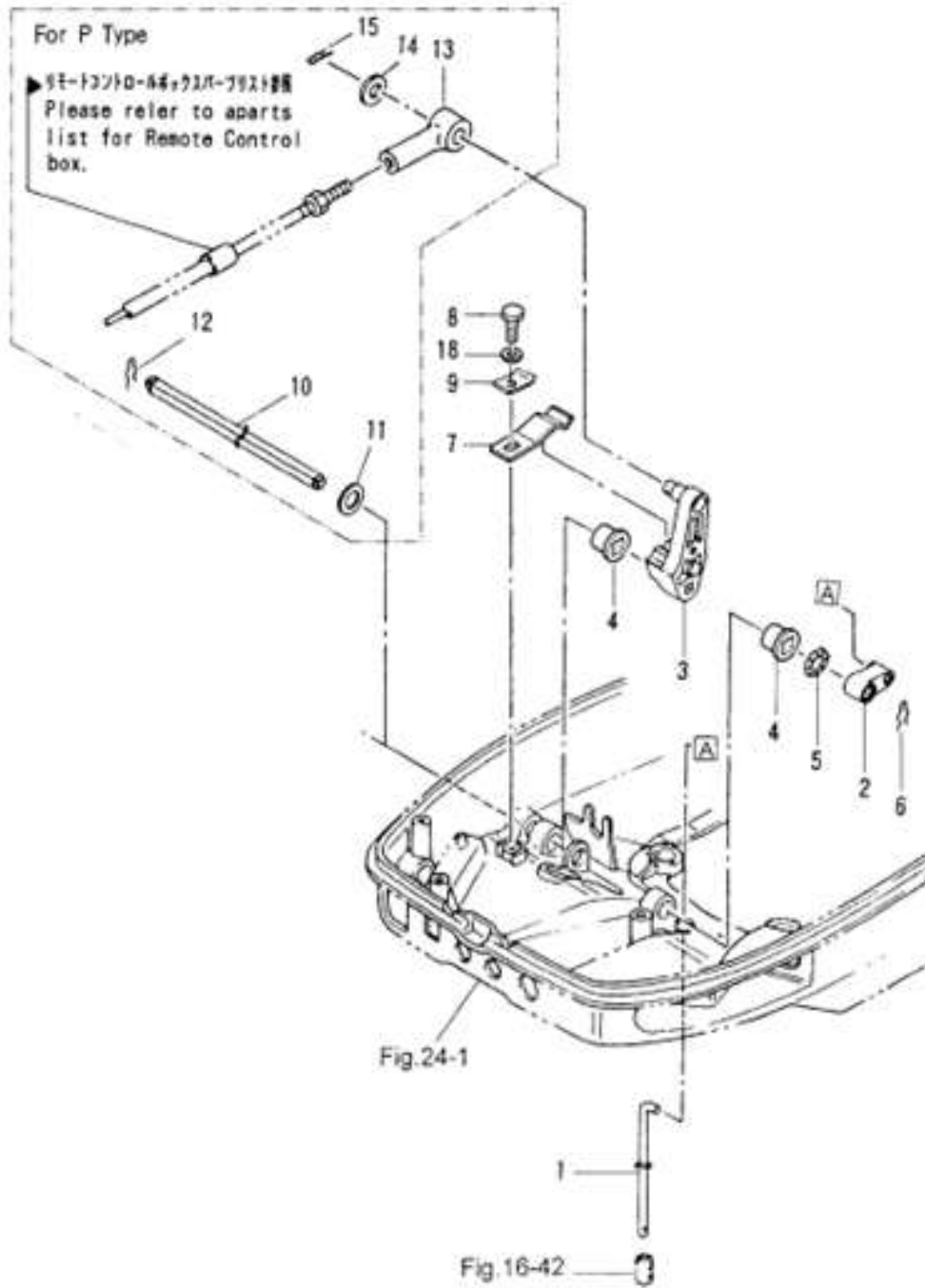


Reference No.	Part No.	Description	Quantity	Remarks
17-1	3B7-02230-0	Fuel Filter	1	
17-1-1	3B7-02237-0	Cap	1	
17-1-2	3B7-02235-0	O-Ring "A"	1	
17-1-3	3B7-02234-0	Filter	1	
17-1-4	3B7-02236-0	O-Ring "B"	1	
17-2	930106-0800	Nut	1	Or 940113-0800
17-3	940103-0800	Washer	2	Or 940113-0800

17-4	3C8-09075-0	Check Valve	1	
17-5	98AB-5-0215	Fuel Pipe	1	
17-6	98AB-5-0300	Fuel Pipe	1	
17-7	98AB-5-0200	Fuel Pipe	1	
17-8	98AB-5-0080	Fuel Pipe	2	
17-9	338-02215-0	Clip #10	8	
17-10	98AB-5-0350	Fuel Pipe	1	
17-11	98AB-5-0530	Fuel Pipe	1	

17-12	3B2-70260-1	Fuel Connector (Male)	1	
17-13	332-70261-0	Nut 10-P 1.25	1	
17-14	336-70112-0	Gasket 10.2-16-0.5	1	

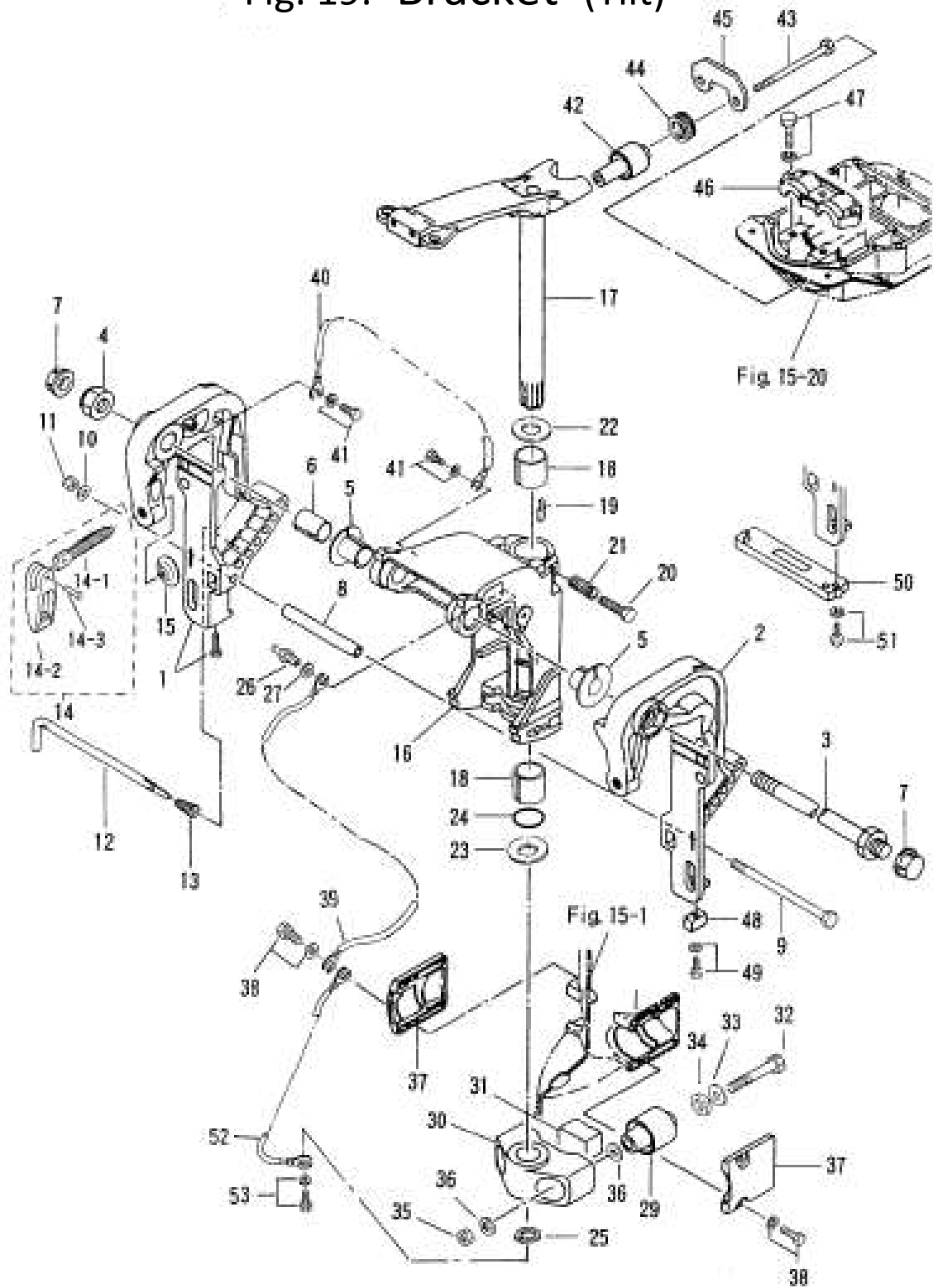
Fig. 18. Shift



Reference No.	Part No.	Description	Quantity	Remarks
18-1	3C8-66211-0	Shift Rod	1	
18-2	3C8-66225-0	Lever, Shift Rod	1	
18-3	3C8-66122-1	Shift Arm	1	
18-4	350-67101-0	Bushing, Shift Lever Shaft	2	
18-5	941403-1200	Wave Washer d=12	1	
18-6	951703-0800	Snap, Retainer d=8	1	
18-7	3C8-66112-0	Stopper, Shift Lever	1	

18-8	910114-0610	Bolt	1	
18-9	3C8-66116-0	Plate, Shift Lever Stopper	1	
18-10	3C8-66135-0	Shift Shaft	1	
18-11	353-83719-0	Washer, 8.5-18-1.6	1	
18-12	951703-0800	Snap Retainer, d=8	1	
18-13	3B7-83715-0	Cable Joint	1	
18-14	353-83719-0	Washer, 8.5-18-1.6	1	
18-15	951603-0800	R-Pin, d=8	1	
18-16	3E3-66110-0	Shift Lever	1	
18-17	338-67147-0	Seal Ring	1	
18-18	940103-0600	Washer	1	

Fig. 19. Bracket (Tilt)



Reference No.	Part No.	Description	Quantity	Remarks
19-1	3C8S62112-0	Stern Bracket-right	1	Starboard
19-2	3C8S62113-0	Stern Bracket – Left	1	Port
19-3	346-62191-0	Bracket Bolt	1	
19-4	346-62124-0	Nylon Nut, 7/8	1	
19-5	349-62126-0	Bushing, Bracket Bolt	1	
19-6	3C8-62132-0	Bushing, 22-25-35.5	1	
19-7	346-62127-0	Cap	2	

19-8	3C8-62117-1	Distance Piece	1	
19-9	3C8-62120-1	Bolt, 8-170	1	
19-10	940113-0800	Washer	1	
19-11	930113-0800	Nut	1	
19-12	3C8-62121-1	Thrust Rod	1	
19-13	345-62122-2	Spring, Thrust Rod	1	
19-14	3C8S62100-1	Clamp, Screw Assembly	2	
19-14-1	3E3-62103-0	Clamp Screw	2	

19-14-2	332S62102-1	Handle, Clamp Screw	2	
19-14-3	3C8-62104-1	Rivet, 3-22	2	
19-15	332-62101-0	Pad, Clamp Screw	2	
19-16	3C8S62310-2	Swivel Bracket	1	#62427
19-17	3C8S62010-2	Steering Shaft	1	#64301
19-18	345-62417-0	Bushing, 26-32	2	
19-19	345-62441-0	Friction Plate, Bracket	1	
19-20	910103-0830	Bolt	1	

19-21	346-62421-1	Spring, Friction Plate	1	
19-22	3A0-62423-2	Thrust Plate, 27-50-1	1	#62427
19-23	346-62424-1	Thrust Plate, 26.5-46-1	1	
19-24	345-62415-0	O-Ring, 3.5-25.7	1	
19-25	945103-2500	C-Ring d=25	1	
19-26	344-67177-0	Grease Nipple	1	
19-27	940103-0600	Washer	1	or 940113-0600
19-28	Not Used			

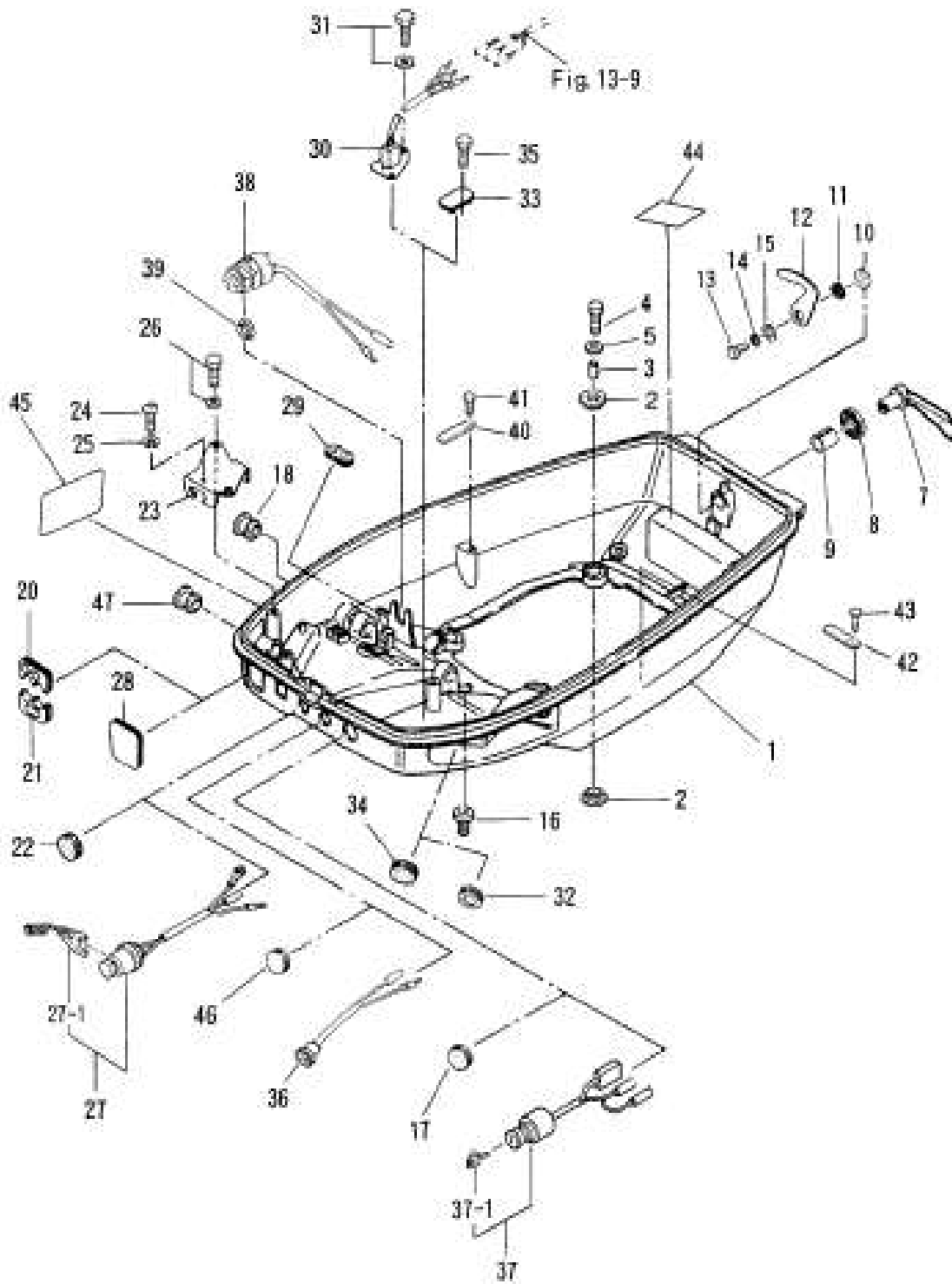
19-29	3C8-61302-0	Mount, Rubber Lower	2	
19-30	3C8S61411-2	Mount Bracket	1	#62427
19-31	3C8-61336-0	Damper Rubber	1	

19-32	3C8-61321-1	Bolt, Mount Rubber Lower	2	
19-33	353-61334-0	Washer, 13-34-3	2	
19-34	3C7-61338-0	Damper Rubber, 21-36-5	2	
19-35	930403-1200	Nylon Nut, 12P 1.75	2	
19-36	940203-1200	Washer,	4	or 940213-1200

19-37	3C8S61342-0	Cap Mount Rubber Lower	2	
19-38	910113-5620	Bolt	4	
19-39	3C8-62396-0	Ground Cable	1	L-210
19-40	3C8-62158-0	Ground Cable	1	L-130
19-41	910113-5612	Bolt	2	
19-42	3E3-61301-1	Mount Rubber Upper	2	
19-43	353-61307-0	Bolt Mount Rubber Upper	2	
19-44	3E3-61333-0	Damper Rubber Upper	2	

19-45	3E3-61335-0	Lock Plate Upper	1	
19-46	3C8S61341-0	Cap Mount Rubber Upper	1	
19-47	910113-5835	Bolt	3	
19-48	3B7-60218-1	Anode	1	
19-49	910113-5635	Bolt	1	
19-50	3C7-60218-2	Anode, Stern Bracket	1	
19-51	910103-6630	Bolt	2	
19-52	3A3-62396-0	Ground Cable	1	L-110
19-53	910113-5612	Bolt	1	

Fig. 20. Lower Motor Cover



Reference No.	Part No.	Description	Quantity	Remarks
20-1	3C8S67100-0	Lower Motor Cover	1	
20-2	346-67113-0	Mount Rubber 8.5-14-2.5	8	
20-3	346-67114-0	Spacer, 6.2-9-15.7	4	
20-4	910113-0630	Bolt	4	
20-5	346-67115-0	Washer, 6.5-21-1	4	
20-6	Not Used			
20-7	3C8S67141-0	Hook, Lever	1	

20-8	338-67147-0	Seat Ring, Hook Lever	1	
20-9	369-67105-0	Bushing, Hook Lever	1	
20-10	3S8-67146-0	Washer, 14-22-1	1	
20-11	941403-1400	Wave Washer, d=14	1	
20-12	3C8-67142-1	Cover Hook	1	
20-13	910114-0612	Bolt	1	
20-14	941303-0600	Spring Washer 6-16-1.5	1	
20-15	3R0-66308-0	Washer, 6-16-1.5	1	

20-16	345-66226-0	Grommet, 17-3	1	
20-17	345-76092-0	Grommet, Main Switch	1	
20-18	3B7-01046-0	Plug	1	
20-19	Not Used			
20-20	3C8-83732-0	Grommet, Control cable	1	
20-21	3C8-76116-1	Grommet, Cord	1	
20-22	345-67117-0	Grommet, 17-2.7	1	
20-23	3C883820-0	Bracket	1	

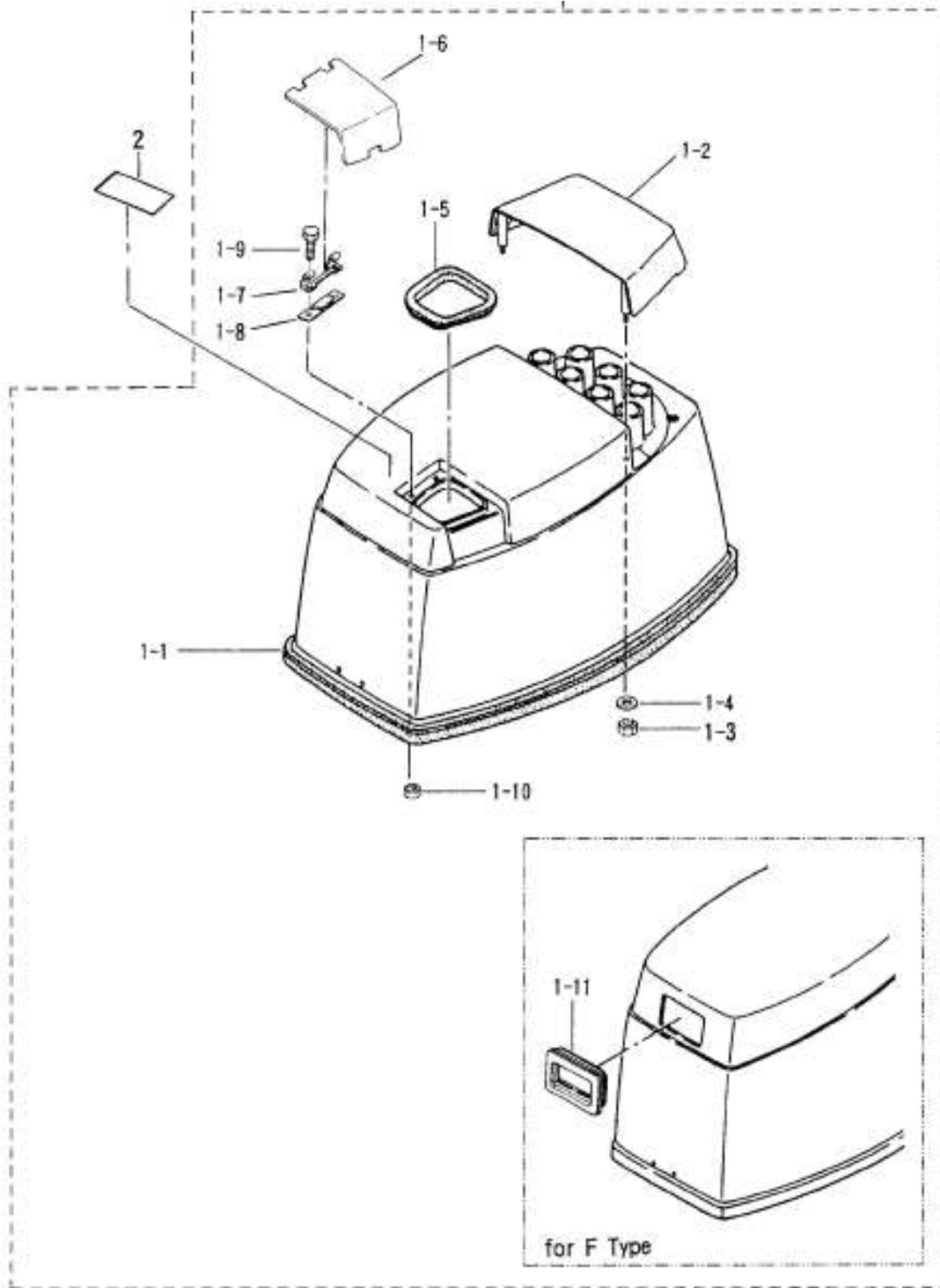
20-24	3C8-83821-0	Screw, 4-20 PO5	1	
20-25	941303-0400	Spring Washer	1	
20-26	910113-5616	Bolt	2	
20-27	3C8-06820-0	Lanyard Stop Switch	1	
20-27-1	353-06821-0	Lock, Lanyard Stop Switch	1	
20-28	3C867162-0	Grommet	1	
20-29	3C8-63621-0	Grommet, Throttle cable	1	

20-30	Not Used			
20-31	910113-5612	Bolt	2	
20-32	338-67163-0	Grommet, 18-2.5	1	
20-33	3C8-72619-0	Grommet	1	

Reference No.	Part No.	Description	Quantity	Remarks
20-34	345-67117-0	Grommet, 17-2.7	1	
20-35	910121-0610	Bolt	1	
20-36	Not Used			

20-37	Not Used			
20-38	3C8-76080-0	Neutral Switch	1	
20-39	3B7-63731-0	Washer, 12.5-24-1	1	
20-40	309-06972-0	Clamp, 6.5-47.5P	1	
20-41	910113-0610	Bolt	1	
20-42	309-06972-0	Clamp, 6.5-47.5P	1	
20-43	910113-0610	Bolt	1	
20-44	332-72025-0	Label, Spark Plug	1	

Fig. 21. Upper Motor Cover



Reference No.	Part No.	Description	Quantity	Remarks
21-1	3E3S67510-3	Upper Motor Cover Upper	1	
21-1-1	3F3-67501-0	Seal Rubber, Upper	1	
21-1-2	3E3S67521-0	Tilt Handle	1	
21-1-3	930113-0600	Nut	4	
21-1-4	3R0-66308-0	Washer, 6-16-1.5	4	
21-1-5	3E3-67213-0	Seal Rubber, Filler Lid	1	
21-1-6	3E3S67210-0	Filler Lid	1	

21-1-7	3B7-67211-0	Hinge, Filler Lid	1	
21-1-8	3C8-67212-0	Spring, Filler Lid	1	
21-1-9	910103-0614	Bolt	2	
21-1-10	930113-0600	Nut	2	
21-1-11	344-67503-0	Seal, Rubber, Starter	1	