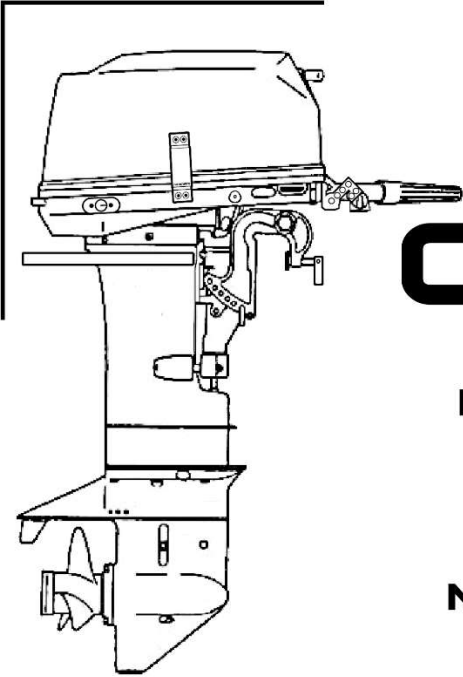


2020
Revision A



PARTS CATALOG

**RAIDER 40 HORSEPOWER
SUBMERSIBLE /
MULTI-FUEL
OUTBOARD MOTOR
NSN 3H 2805-01-652-3067
PART NO. R40ES-002**

**RAIDER OUTBOARDS
1855 SHEPARD DRIVE
TITUSVILLE, FL 32780
321-363-9585**

FOR MILITARY USE ONLY

**RAIDER PARTS CATALOG NO. R40-ES-002-02
PARTS AND ASSEMBLIES FOR 40HP OUTBOARD ENGINE
*PARTS CATALOG***

RAIDER 40

This page intentionally left blank

RAIDER *Outboards*

MULTI-FUEL SUBMERSIBLE ELECTRIC START OUTBOARD ENGINES

The Raider series of outboard motors are dedicated to the Marine Raiders established by the United States Marine Corps during WW II and are said by many to be the first United States special operations force. Handpicked from the elite, these men were given specialized training and the best equipment. They distinguished themselves during the conduct of clandestine amphibious landings, utilizing small inflatable boats, operating behind enemy lines in direct support of combat operations in the Central Pacific and Solomon Islands. Even though the Raiders were disbanded at the close of WW II the need for specially trained warfighters and the requirements for specialized equipment did not. Today's Special Operations Forces (SOF) under the United States Special Operation Command (USSOCOM) are expected to conduct similar and far more demanding missions, to that end and with those warfighters in mind the Raider (OBM) is specifically developed for SOF that routinely operate within the often unforgiving, highly demanding, dynamic maritime environment.

WHO WE ARE

- Raider Outboards, Inc. is a-US owned and operated company based in Central Florida near Kennedy Space Center, located in the Space Port Commerce Park. We design and produce multi-fuel, submersible, lightweight outboard motors and associated parts that include a Safety Jet; transom plates; carts and transportation cages. Our markets include Department of Defense (DOD), Other Government Agencies (OGA), National and Local Law Enforcements and First Responder Services, Search & Rescue and commercial/retail.
- The Raider patented Safety Jet can be purchased in a kit which retrofits a propeller drive to a jet pump system. The Safety Jet was designed to improve safety for swimmers and divers in both real-world and training situations. The Safety Jet is excellent for "brown" water operations where search and rescue operations routinely happen in which higher probabilities of striking submerged objects exist. For coastal or beaching operations in unfamiliar waters it provides additional protection from rocks or coral easily absorbing hits that could ruin propellers when moving to and from a beach landing site.
- Raider also provides a series of transom plates that are attached to the transom of the Combat Rubber Raiding Craft (CRRC). The transom plates have single and dual motors configurations. The transom plates provide centerline alignment and safety if the motor clamps loosen under vibration. Specialty items like extended handles, extended fuel hose connections, outboard motors carts and transportation cages are also available.

WHAT WE ARE ABOUT

Raider develops, manufactures, and provides technical support services for highly reliable outboard motors for today's warfighter. Our designs are field proven, add capacity and capability to perform the most difficult and demanding maritime missions. Features include;

- Simple and Robust.
- System Redundancy.
- Minimized Electronics.
- Air droppable.
- Bagless submersion.
- Superior dewatering.
- Leader in horsepower to weight ratio.
- 25% better fuel efficiency than any other motor in its class.
- Easy to maintain and troubleshoot.

OUR MISSION

Raider Outboards will provide and deliver the most reliable premium products, hands on training, highest quality to the customer and serve as the premier outboard motor company to the U.S. Military; while honoring those who protect, defend, and support our communities and our country.



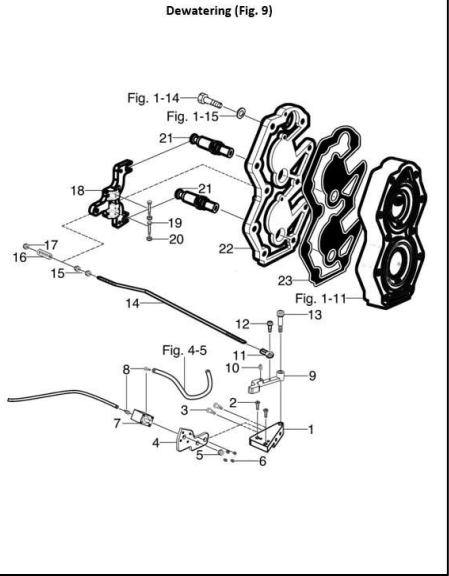
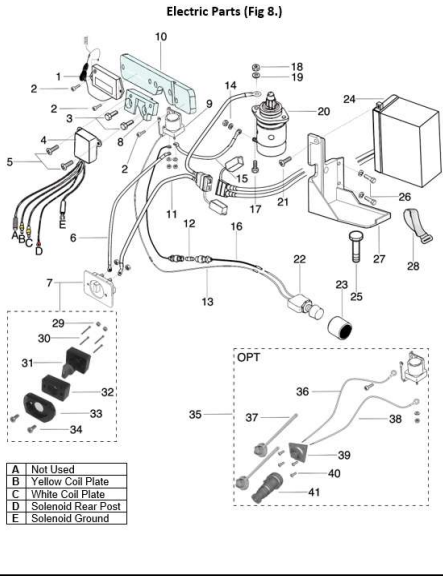
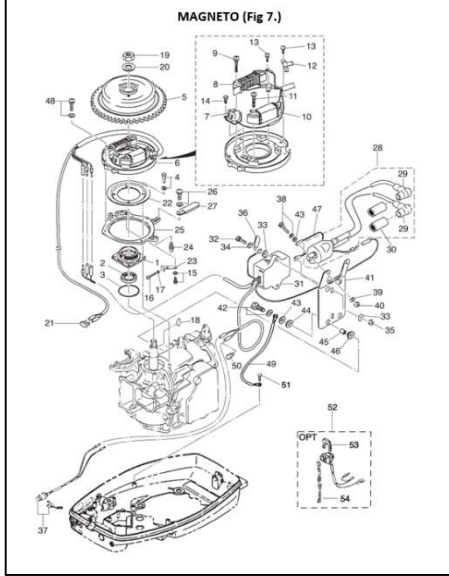
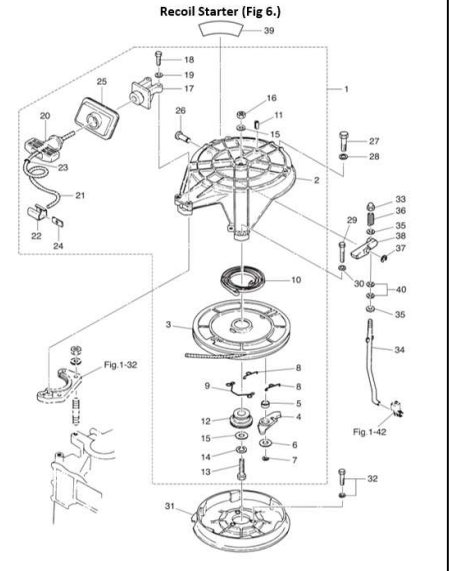
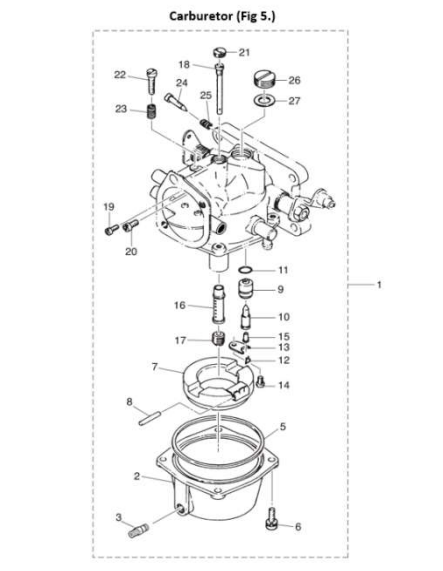
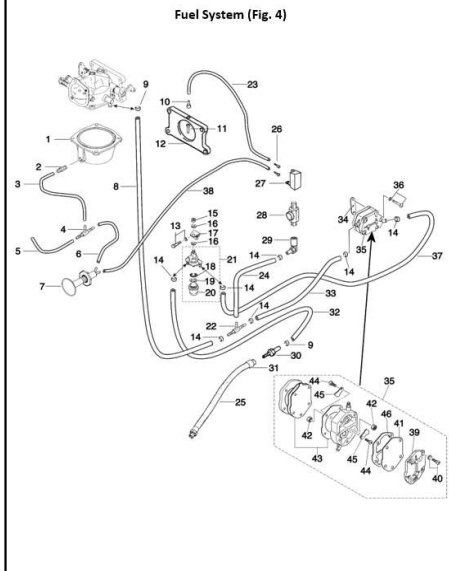
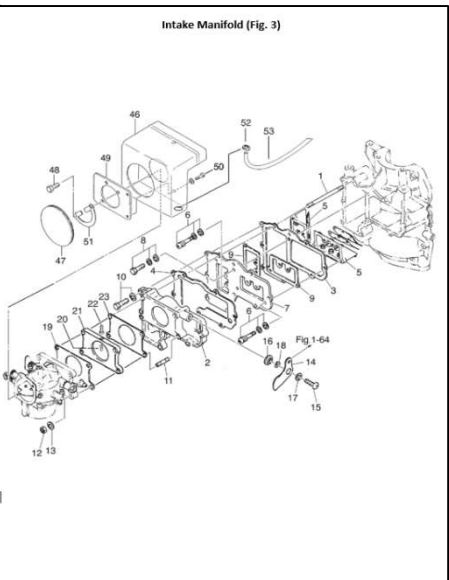
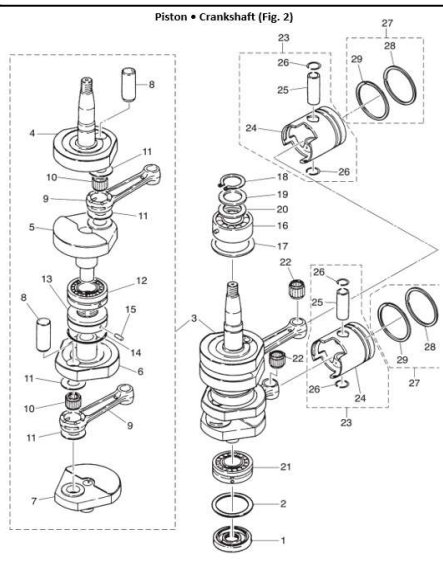
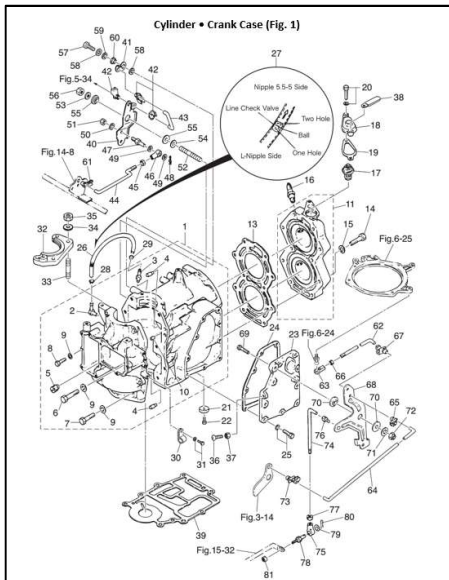
Chris Woodruff
Director of Engineering
Raider Outboards Inc.
Chris@raideroutboards.com
321-567-2309

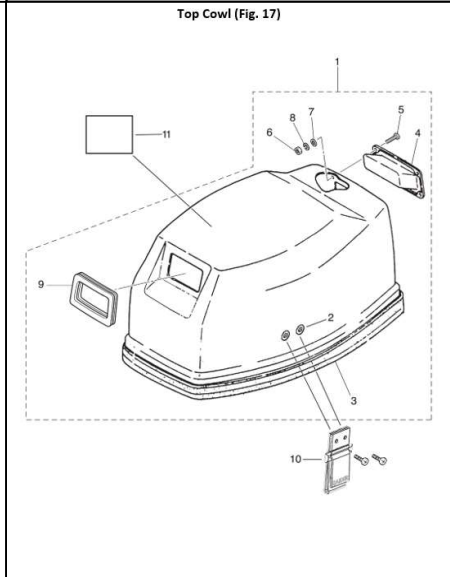
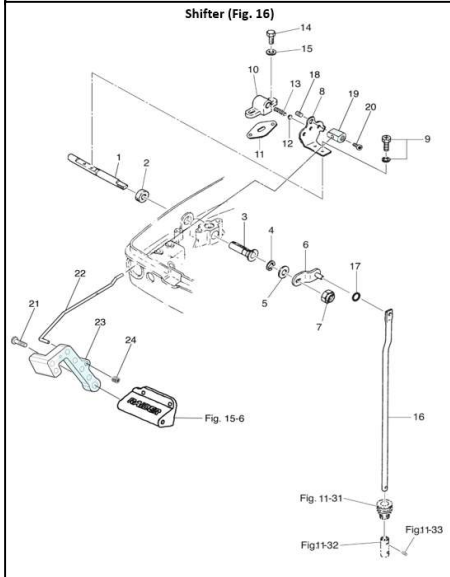
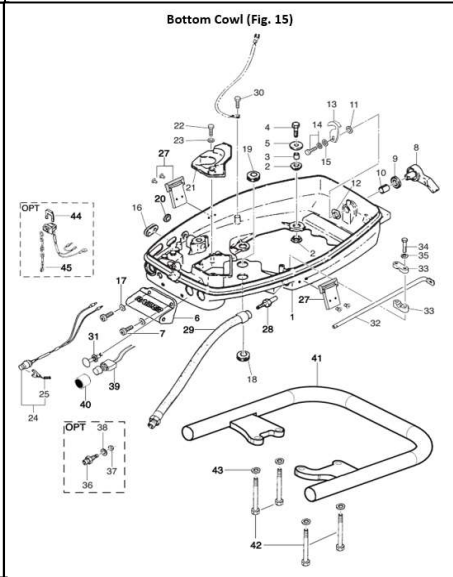
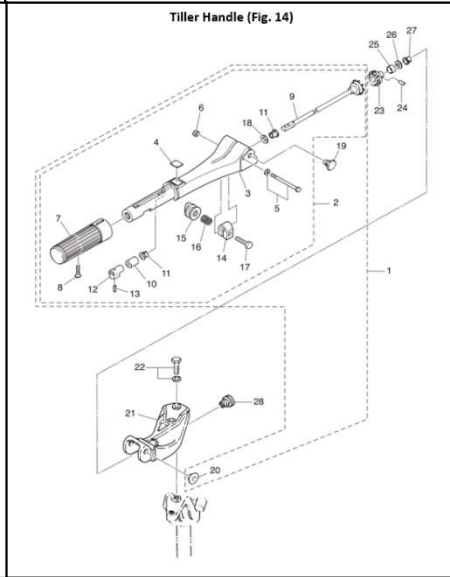
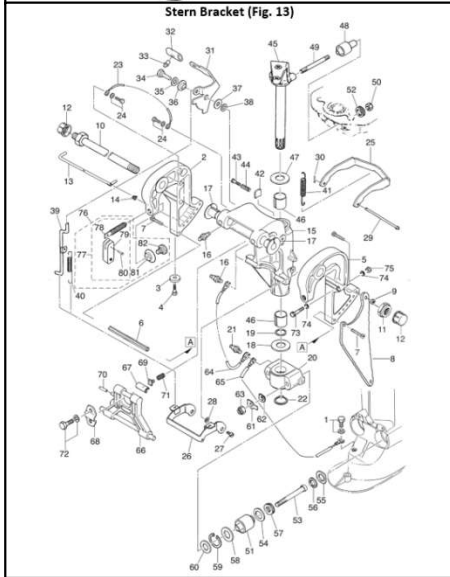
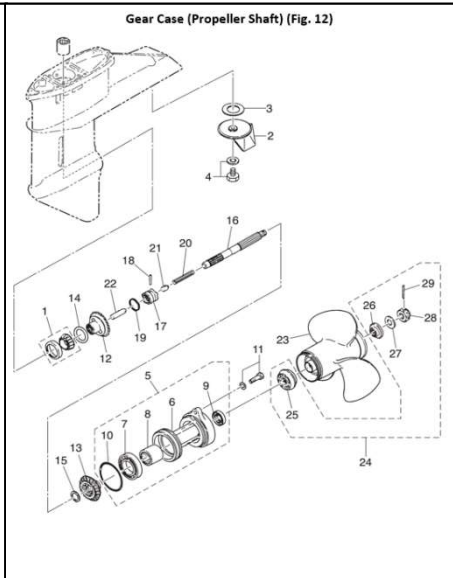
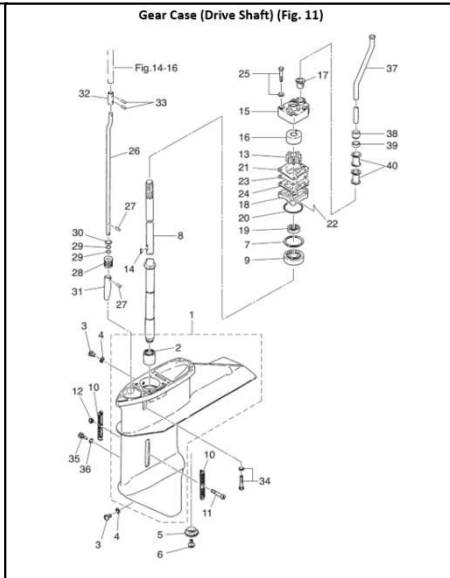
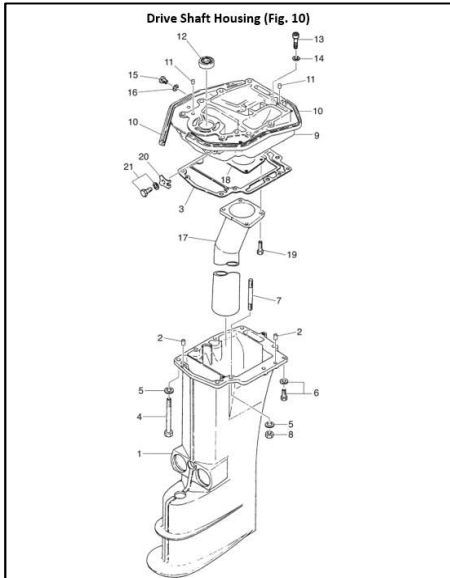
Chris Woodruff

HOW TO USE THIS PARTS CATALOG

1. This parts catalog provides information available as of the end of June 2020.
2. Please keep the parts Catalog updated each time when receiving a Service Bulletin describing an addition, deletion and or change of parts.
3. Actual shapes of parts may be different from the illustrations shown in this Parts Catalog because they are described only as a guide for searching parts.
4. Given mark in (*) to a part number shows assembly or kit part.
5. Given mark in (**) to a part number shows modifications made to part.
6. Marks in this Parts Catalog Show.

| | | | |
|-----|------------------|------|------------------|
| STD | : Standard | OPT | : Optional Parts |
| O/S | : Over size | ASSY | : Assembly |
| DO | : Domestic Model | EX | : Export Model |
| A | : As required | EU | : European |



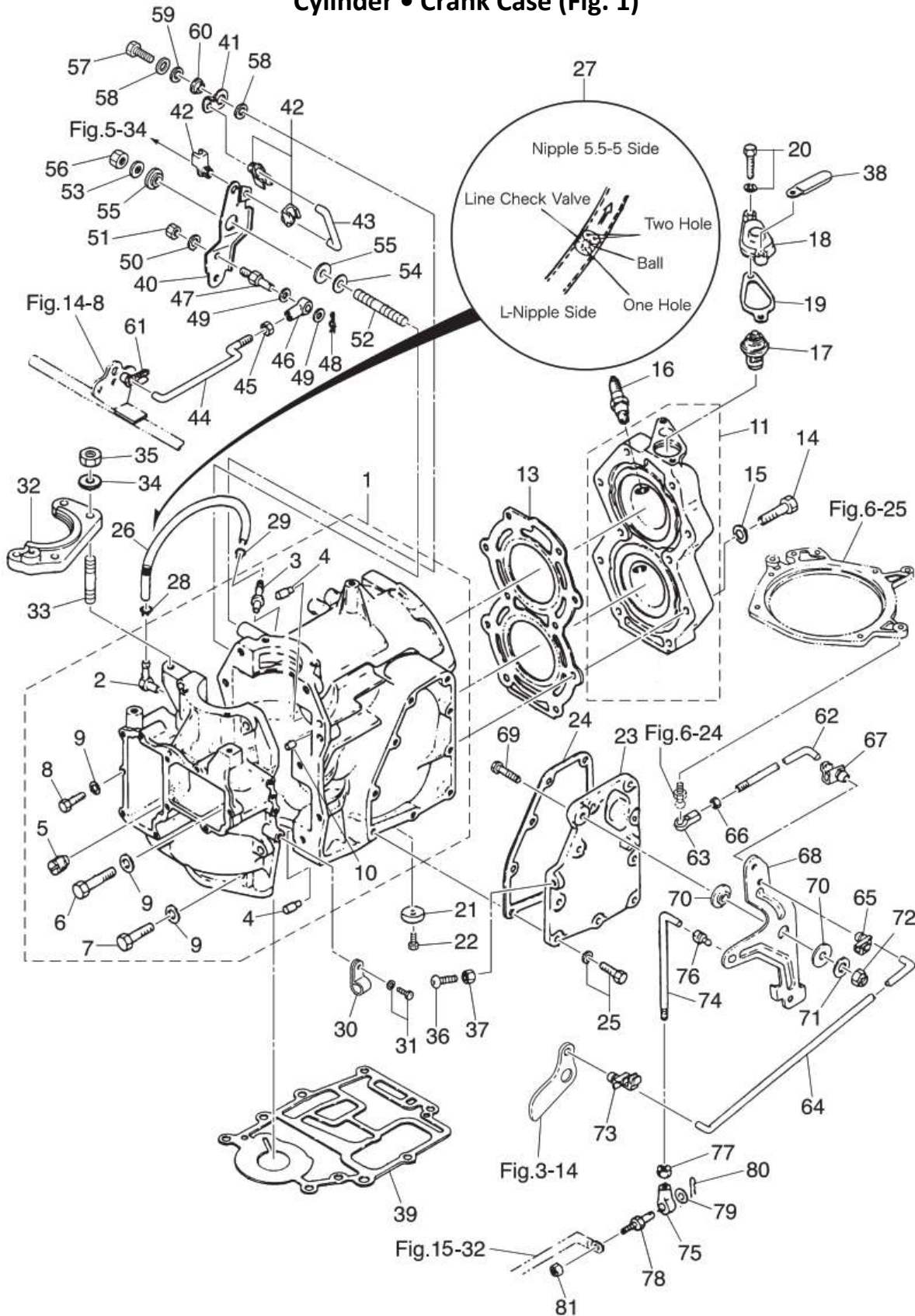


Contents

| | |
|---|----|
| Cylinder • Crank Case (Fig. 1) | 1 |
| Piston • Crankshaft (Fig. 2) | 5 |
| Intake Manifold (Fig. 3) | 7 |
| Fuel System (Fig. 4) | 9 |
| Carburetor (Fig 5.) | 11 |
| Recoil Starter (Fig 6.) | 13 |
| MAGNETO (Fig 7.) | 15 |
| Electric Parts (Fig 8.) | 19 |
| Dewatering (Fig. 9) | 21 |
| Drive Shaft Housing (Fig. 10) | 23 |
| Gear Case (Drive Shaft) (Fig. 11) | 25 |
| Gear Case (Propeller Shaft) (Fig. 12) | 27 |
| Stern Bracket (Fig. 13) | 29 |
| Tiller Handle (Fig. 14) | 33 |
| Bottom Cowl (Fig. 15) | 35 |
| Shifter (Fig. 16) | 37 |
| Top Cowl (Fig. 17) | 39 |
| Assembly • Kit Parts (Fig 18) | 41 |
| Consumable Materials (Fig 19) | 47 |

This page intentionally left blank

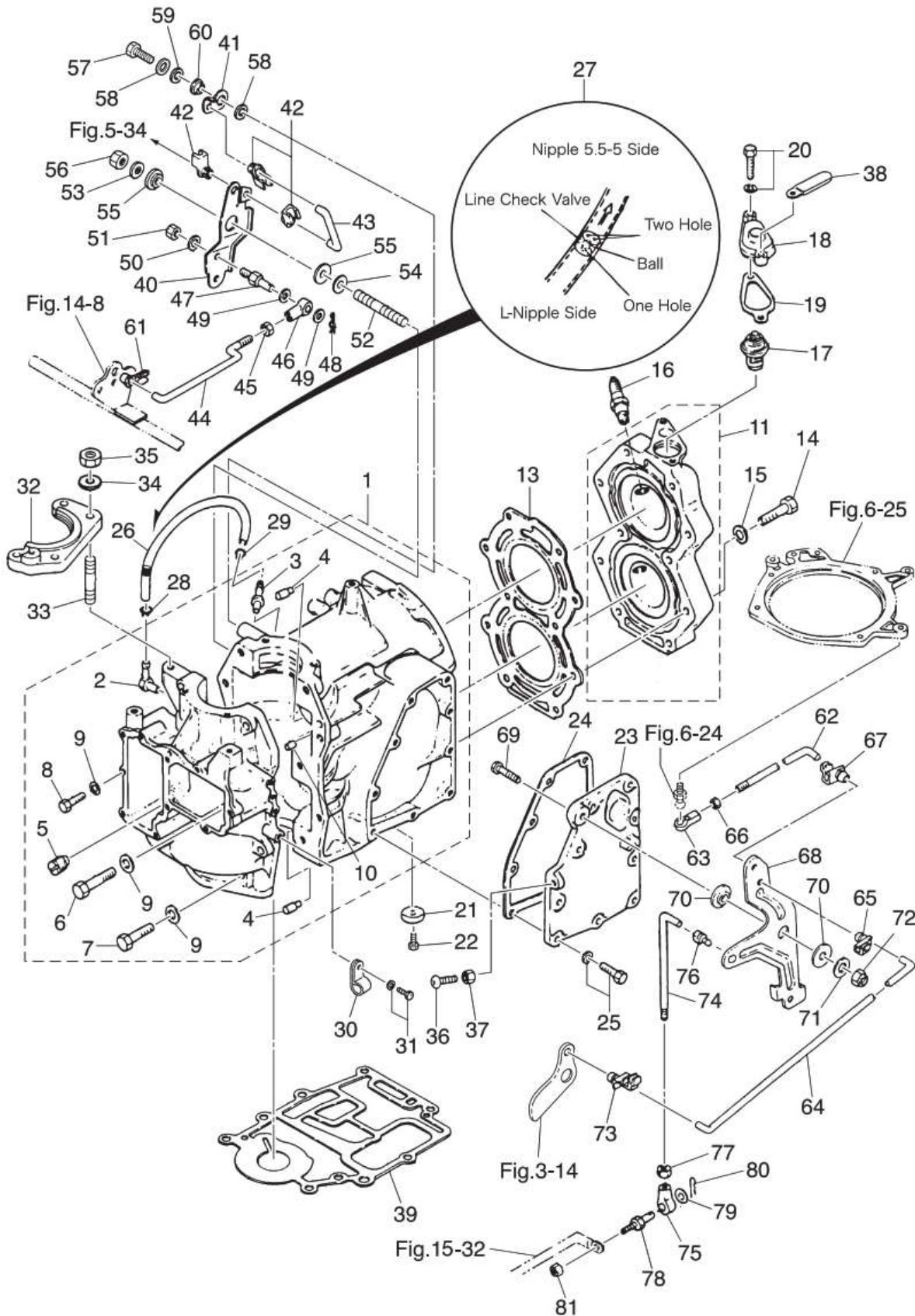
Cylinder • Crank Case (Fig. 1)



Cylinder • Crank Case

| Ref. No. | Part No. | Description | Qty | Remarks |
|----------|---------------|----------------------------|-----|-------------------------|
| 1-1 | 361B01100-2 | CYL BLOCK & CRANKCASE ASSY | 1 | |
| 1-2 | 393-01137-0 | * NIPPLE | 1 | |
| 1-3 | 393-01131-0 | * NIPPLE 5.5-5 | 1 | |
| 1-4 | 345-00117-0 | * DOWEL PIN | 2 | Bearing |
| 1-5 | 345-01150-1 | * CHECK VALVE ASSY | 1 | |
| 1-6 | 916129-0850 | * BOLT | 1 | |
| 1-7 | 3LD010120M | * BOLT | 8 | |
| 1-8 | 9161F4-0835 | * BOLT | 1 | |
| 1-9 | 940121-0800 | * WASHER | 10 | |
| 1-10 | 345-01111-0 | * DOWEL PIN 6-12 | 2 | |
| 1-11 | R-RH40 | CYLINDER HEAD ASSY | 1 | |
| 1-13 | 345-01005-1 | CYLINDER HEAD GASKET | 1 | |
| 1-14 | R-91280A554 | CYLINDER HEAD BOLT | 9 | |
| 1-14.5 | R-91280A557 | CYLINDER HEAD BOLT | 1 | Thermostat Cover (only) |
| 1-15 | 345-01015-0 | WASHER 8.5-19.5-3.2 | 10 | |
| 1-16 | R-BCPR6EIX-11 | SPARK PLUG | 2 | |
| 1-17 | 345-01030-0 | THERMOSTAT | 1 | Mark 52A PRV |
| 1-18 | R-TC40 | THERMOSTAT CAP | 1 | |
| 1-19 | R-RTG40 | THERMOSTAT CAP GASKET | 1 | |
| 1-20 | R-92196A274 | THERMOSTAT CAP BOLT | 2 | 10/32x1 Socket Head |
| 1-21 | 338-60218-2 | ANODE | 1 | |
| 1-22 | 910103-0616 | BOLT | 1 | |
| 1-23 | 345B02301-2 | EXHAUST COVER (OUTER) | 1 | |
| 1-24 | 345-02305-1 | EXHAUST COVER GASKET | 1 | |
| 1-25 | 9101F4-5620 | BOLT | 9 | |
| 1-26 | 98AL-40-230 | HOSE | 1 | 98AL-401000 |
| 1-27 | 393-01160-0 | CHECK VALVE | 1 | |
| 1-28 | 3T5-01133-0 | CLIPφ8 | 1 | |
| 1-29 | 338-01133-0 | CLIPφ7 | 1 | |
| 1-30 | 336-06973-0 | CLAMP 6-9.5L | 1 | |
| 1-31 | 910103-6612 | BOLT | 1 | |
| 1-32 | 345B05101-0 | BRACKET | 1 | |
| 1-33 | 915324-0825 | STUD | 2 | |
| 1-34 | 940121-0800 | WASHER | 2 | |
| 1-35 | 930121-0800 | NUT | 2 | |
| 1-36 | 921503-0520 | SCREW | 1 | |
| 1-37 | 930103-0500 | NUT | 1 | |
| 1-38 | 3PR069720M | CLAMP 6.5-47.5P | 1 | |
| 1-39 | 345-01303-1 | ENGINE BASEMENT GASKET | 1 | |
| 1-40 | 361-05211-0 | STARTER LOCK ARM | 1 | |
| 1-41 | 345052131M | THROTTLE LIMITER ARM | 1 | STOP ARM, THROTTLE |
| 1-42 | 345-05223-1 | ROD SNAP 3.5-2 | 3 | |
| 1-43 | 345-05221-1 | THROTTLE LIMITER ROD | 1 | ROD, THROTTLE STOP ARM |
| 1-44 | 345-05222-1 | STARTER LOCK ROD | 1 | |
| 1-45 | 930103-0500 | NUT | 2 | |
| 1-46 | 346-05234-0 | ROD JOINTφ5 | 1 | |
| 1-47 | 353-83728-1 | PIN | 1 | |
| 1-48 | 951603-0800 | SNAP PIN d=8 | 1 | |
| 1-49 | 3AA-83719-0 | WASHER 8.5-18-1.6 | 2 | |

Cylinder • Crank Case

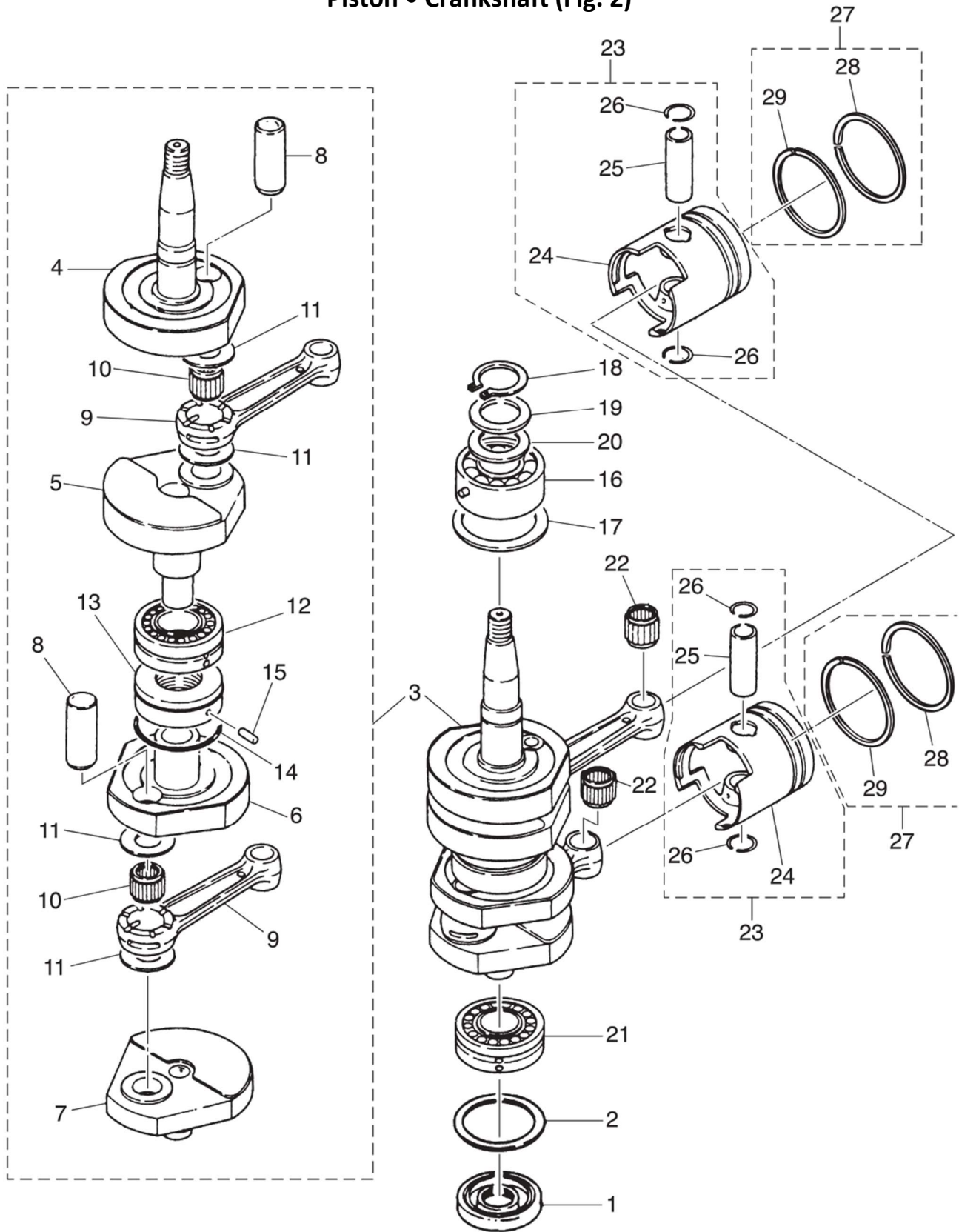


Cylinder • Crank Case

| Ref. No. | Part No. | Description | Qty | Remarks |
|----------|-------------|----------------------|-----|---------------|
| 1-50 | 941303-0600 | SPRING WASHER | 1 | |
| 1-51 | 930103-0600 | NUT | 1 | |
| 1-52 | 915324-0825 | STUD | 1 | |
| 1-53 | 940103-0800 | WASHER | 1 | |
| 1-54 | 345-01015-0 | WASHER 8.5-19.5-3.2 | 1 | |
| 1-55 | 345-63713-0 | BUSHING 8-14-4 | 2 | |
| 1-56 | 930403-0800 | NYLON NUT 8-P1.25 | 1 | |
| 1-57 | 9101F4-0620 | BOLT | 1 | |
| 1-58 | 940103-0600 | WASHER | 2 | |
| 1-59 | 941403-1000 | WAVE WASHER d=10 | 1 | |
| 1-60 | 346-63721-0 | BUSHING 6.2-16-5 | 1 | |
| 1-61 | 345-05224-0 | ROD SNAP 5-2.5 | 1 | |
| 1-62 | 348-63715-1 | ROD 5-75L | 1 | ADVANCER LINK |
| 1-63 | 3B7-05243-0 | BALL JOINT CONNECTOR | 1 | |
| 1-64 | 348-63716-1 | THROTTLE ROD | 1 | |
| 1-65 | 345-05223-1 | ROD SNAP 3.5-2 | 1 | |
| 1-66 | 930103-0500 | NUT | 1 | |
| 1-67 | 3B7-63733-0 | ROD SNAP 5-2.5 | 1 | |
| 1-68 | 348637112M | ADVANCER ARM | 1 | |
| 1-69 | 910121-0840 | BOLT | 1 | |
| 1-70 | 345-63713-0 | BUSHING 8-14-4 | 2 | |
| 1-71 | 3P0662330M | WASHER 8.1-16-1.5 | 1 | |
| 1-72 | 930403-0800 | NYLON NUT 8-P1.25 | 1 | |
| 1-73 | 345-05223-1 | ROD SNAP 3.5-2 | 1 | |
| 1-74 | 348-63715-1 | ROD 5-75L | 1 | |
| 1-75 | 346-05234-0 | ROD JOINTφ5 | 1 | |
| 1-76 | 3B7-63733-0 | ROD SNAP 5-2.5 | 1 | |
| 1-77 | 930103-0500 | NUT | 1 | |
| 1-78 | 361-83728-0 | PIN | 1 | |
| 1-79 | 3AA-83719-0 | WASHER 8.5-18-1.6 | 1 | |
| 1-80 | 951603-0800 | SNAP PIN d=8 | 1 | |
| 1-81 | 930103-0600 | NUT | 1 | |

*assembly

Piston • Crankshaft (Fig. 2)

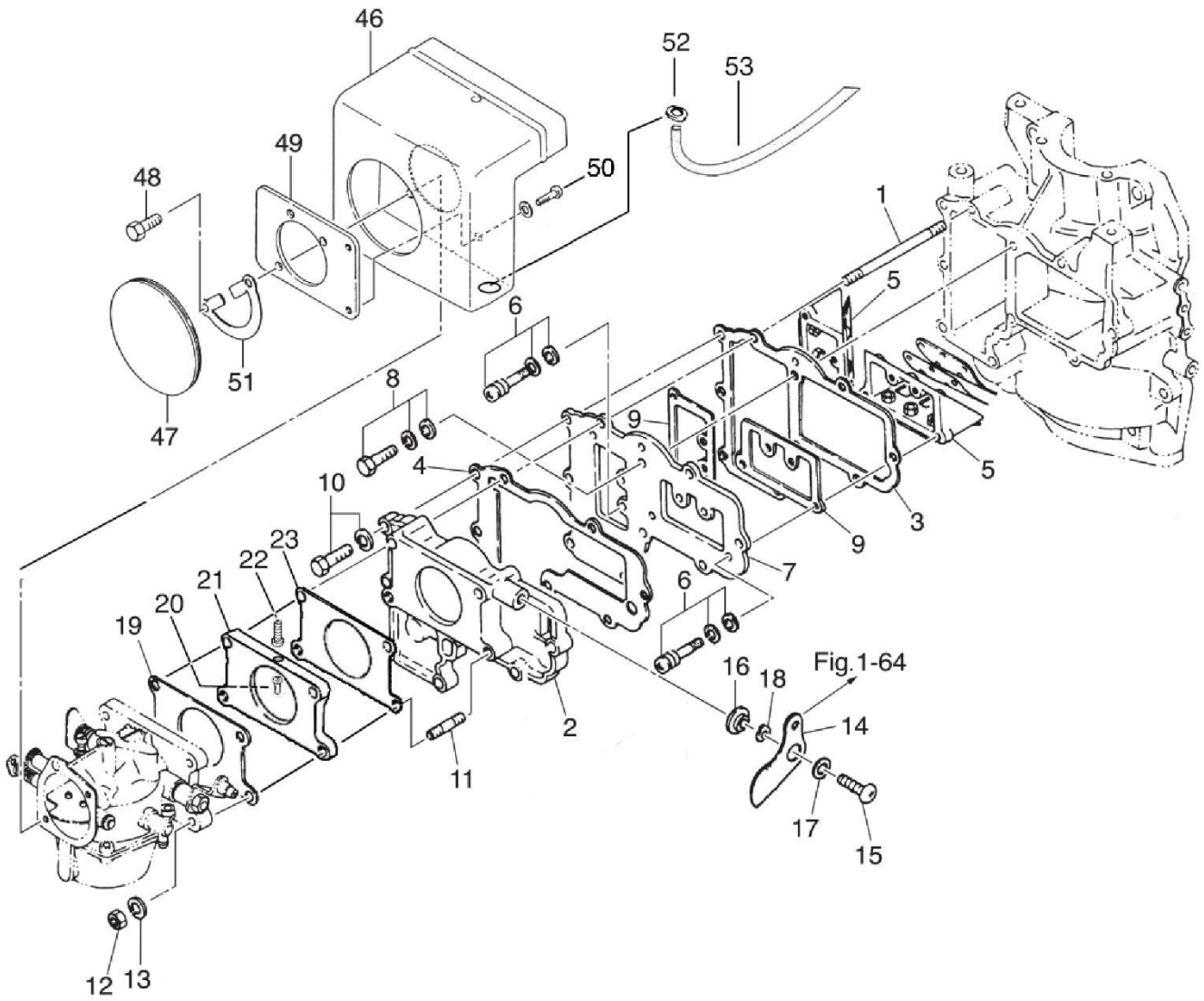


Piston • Crankshaft

| Ref. No. | Part No. | Description | Qty | Remarks |
|----------|-------------|-----------------------------|-----|---------|
| 2-1 | 345-00122-0 | OIL SEAL 25-55-10 | 1 | |
| 2-2 | 345-00125-0 | RETAINER 50-60-1.6 | 1 | |
| 2-3 | 361-00069-1 | CRANKSHAFT SUB-ASSY | 1 | |
| 2-4 | 361-00031-0 | * CRANKSHAFT A | 1 | |
| 2-5 | 348-00032-0 | * CRANKSHAFT B | 1 | |
| 2-6 | 348-00033-0 | * CRANKSHAFT C | 1 | |
| 2-7 | 348-00034-0 | * CRANKSHAFT D | 1 | |
| 2-8 | 348-00061-1 | * CRANK PIN | 2 | |
| 2-9 | 345-00040-1 | * CONNECTING ROD | 2 | |
| 2-10 | 345-00043-0 | * ROLLER BEARING 25-32-20 | 2 | |
| 2-11 | 345-00045-0 | * BIG END BEARING WASHER | 4 | |
| 2-12 | 345-00114-0 | * MAIN BEARING 355520 | 1 | Center |
| 2-13 | 345-00051-0 | * LABYRINTH PACKING | 1 | |
| 2-14 | 345-00053-0 | * O-RING 2-49.5 | 1 | |
| 2-15 | 951407-0306 | * SPRING PIN 3-6 | 1 | |
| 2-16 | 345-00113-0 | MAIN BEARING 5206 | 1 | Upper |
| 2-17 | 345-00115-0 | RETAINER 56-66-1.6 | 1 | |
| 2-18 | 945107-3000 | C-RING d=30 | 1 | |
| 2-19 | 345-00116-0 | SPACER 30.2-40-2.3 | 1 | |
| 2-20 | 345-00141-0 | SHIM 31-42 | A | |
| 2-21 | 345-00114-0 | MAIN BEARING 355520 | 1 | Lower |
| 2-22 | 345-00042-0 | ROLLER BEARING 17-21-27 | 2 | |
| 2-23 | 3C1-87130-0 | PISTON REPAIR KIT | 2 | STD |
| 2-23 | 3C1-87131-0 | PISTON REPAIR KIT (0.5 O/S) | 2 | OPT |
| 2-24 | 361-00001-1 | * PISTON | 1 | STD |
| 2-24 | 361-00004-1 | * PISTON (0.5 O/S) | 1 | OPT |
| 2-25 | 345-00021-1 | * PISTON PIN | 1 | |
| 2-26 | 334-00024-1 | * PISTON PIN CLIP | 2 | |
| 2-27 | 3C1-87123-0 | PISTON RING SET | 2 | STD |
| 2-27 | 3C1-87124-0 | PISTON RING SET (0.5 O/S) | 2 | OPT |
| 2-28 | 361-00011-0 | * PISTON RING | 1 | STD 1st |
| 2-28 | 361-00014-0 | * PISTON RING (0.5 O/S) | 1 | OPT 1st |
| 2-29 | 345-00011-0 | * PISTON RING | 1 | STD 2nd |
| 2-29 | 345-00014-0 | * PISTON RING (0.5 O/S) | 1 | OPT 2nd |

*assembly

Intake Manifold (Fig. 3)



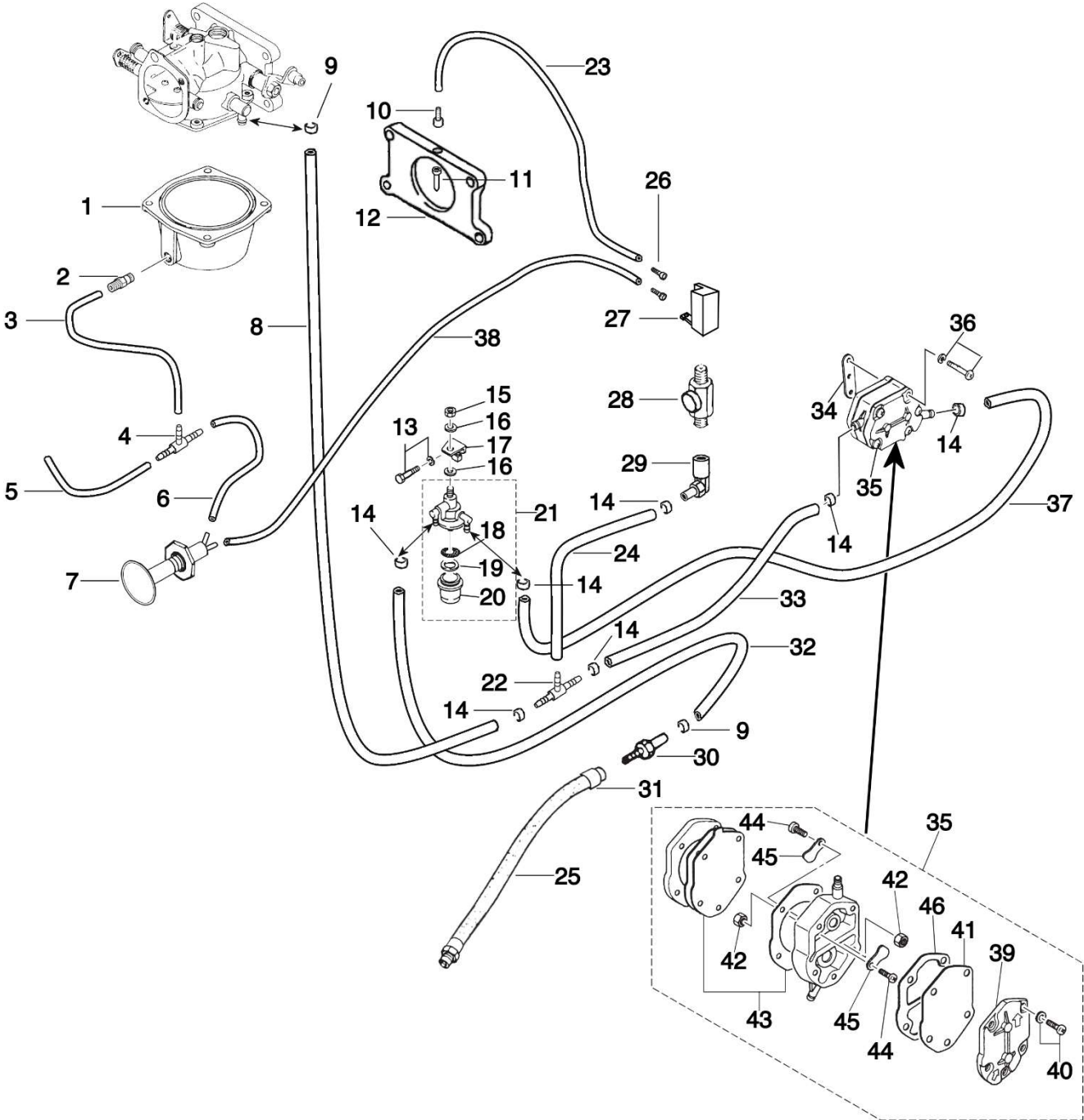
Intake Manifold

| Ref. No. | Part No. | Description | Qty | Remarks |
|----------|-----------------|----------------------------|-----|-----------------------|
| 3-1 | R-93805A637 | STUD (LONG) | 2 | |
| 3-2 | 345B02010-0 | INTAKE MANIFOLD | 1 | |
| 3-3 | 345-02104-0 | INTAKE MANIFOLD GASKET "A" | 1 | |
| 3-4 | 345-02105-0 | INTAKE MANIFOLD GASKET "B" | 1 | |
| 3-5 | 345-02100-1 | REED VALVE ASSY | 1 | |
| 3-6 | 921521-7412 | SCREW | 8 | |
| 3-7 | 345-02106-0 | PLATE | 1 | |
| 3-8 | 910121-7620 | BOLT | 1 | |
| 3-9 | 345-02103-0 | REED VALVE SEAT GASKET | 2 | |
| 3-10 | 9101E30630M | BOLT | 7 | |
| 3-11 | R-93805A326 | STUD (SHORT) | 2 | |
| 3-12 | 930103-0600 | NUT | 4 | |
| 3-13 | 941303-0600 | SPRING WASHER | 4 | |
| 3-14 | R-CC40 | THROTTLE CAM | 1 | |
| 3-15 | 921503-0616 | SCREW | 1 | |
| 3-16 | 346-63721-0 | BUSHING 6.2-16-5 | 1 | |
| 3-17 | 3C8-66308-0 | WASHER 6-16-1.5 | 1 | |
| 3-18 | 941403-1000 | WAVE WASHER d=10 | 1 | |
| 3-19 | 345-02011-3 | CARBURETOR GASKET | 1 | |
| 3-20 | R-VM22/210/17.5 | *HEAVY FUEL JET | 1 | Heavy Fuel Plate ASSY |
| 3-21 | R-CHFAP40 | *HEAVY FUEL PLATE ASSY | 1 | Heavy Fuel Plate ASSY |
| 3-22 | R-11752-1 | *HOSE FITTING | 1 | Heavy Fuel Plate ASSY |
| 3-23 | R-HFPG40 | HEAVY FUEL PLATE GASKET | 1 | |
| 3-46 | 345-02411-0 | INTAKE SILENCER** | 1 | |
| 3-47 | 345-02415-0 | INTAKE SILENCER COVER | 1 | |
| 3-48 | 9101F4-0616 | BOLT | 2 | |
| 3-49 | 345-02416-0 | INTAKE SILENCER PLATE | 1 | |
| 3-50 | 921503-5508 | SCREW | 2 | |
| 3-51 | 345-02417-1 | INTAKE SILENCER LOCK PLATE | 1 | |
| 3-52 | R-9600k28 | 1/4ID FIRM GROMMET | 1 | |
| 3-53 | R-5187k61 | SILENCER DRAIN LINE | 1 | |

*Assembly

** Modified

Fuel System (Fig. 4)



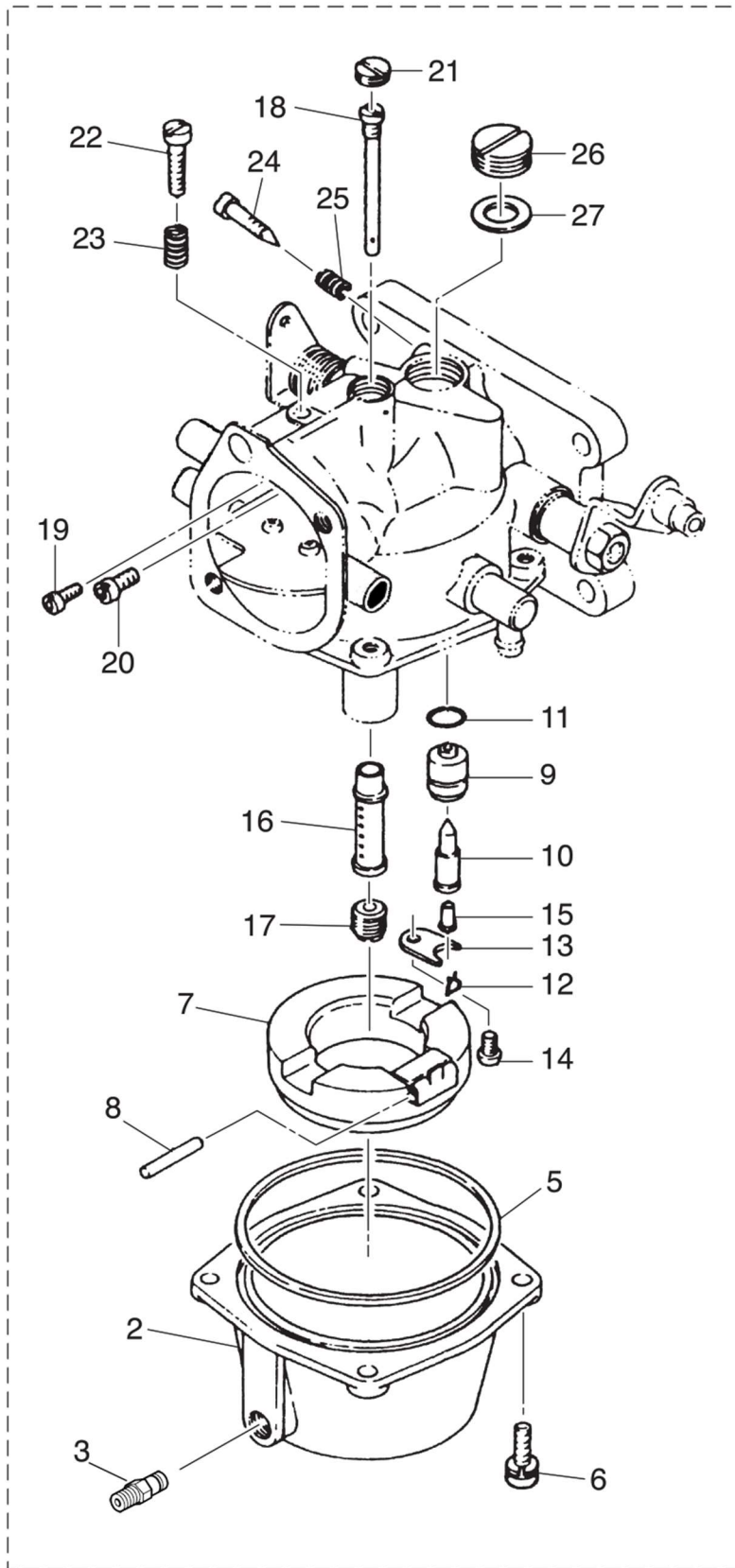
Fuel System

| Ref. No. | Part No. | Description | Qty | Remarks |
|----------|-----------------------|---------------------------------|-----|----------------------------------|
| 4-1 | R-TRNCB40 | FLOAT CHAMBER** | 1 | Triton |
| 4-2 | R-5454K63 | FLOAT CHAMBER, HOSE FITTING | 1 | |
| 4-3 | R-CEL-65432-TF2FC/8 | FUEL LINE 1/8" 8" | 1 | T-Fitting to Float Chamber 8" |
| 4-4 | R-91355K57 | T-HOSE FITTING 1/8" | 1 | |
| 4-5 | R-CEL-65432-TF2DW/4 | FUEL LINE 1/8" 4" | 1 | T-Fitting to Dewatering Valve 4" |
| 4-6 | R-CEL-65432-TF2P/4 | FUEL LINE 1/8" 4" | 1 | T-Fitting to Primer 4" |
| 4-7 | R-11305 | PRIMER | 1 | |
| 4-8 | R-54605K32-TF2C/8 | FUEL LINE 1/4" 8" | 1 | T-Fitting to Carburetor |
| 4-9 | R-5011T141 | HOSE CLAMP, WORM GEAR | 2 | |
| 4-10 | R-5454K63 | *HEAVY FUEL PLATE, HOSE FITTING | 1 | Heavy Fuel Plate ASSY |
| 4-11 | R-VM22/210-17.5 | *HEAVY FUEL PLATE, JET | 1 | Heavy Fuel Plate ASSY |
| 4-12 | R-CHFAP40 | *HEAVY FUEL PLATE ASSY | 1 | Heavy Fuel Plate ASSY |
| 4-13 | 9101E30630M | BOLT | 1 | Intake Manifold Bolt |
| 4-14 | R-5435K13 | OETIKER CLAMP 13.3 | 6 | |
| 4-15 | 930103-0800 | NUT | 1 | |
| 4-16 | 940103-0800 | WASHER | 2 | |
| 4-17 | 348-02231-0 | FUEL FILTER ASSY, PLATE | 1 | |
| 4-18 | 346-02234-0 | *FILTER | 1 | FUEL FILTER ASSY |
| 4-19 | 346-02235-0 | *GASKET | 1 | FUEL FILTER ASSY |
| 4-20 | 346-02237-0 | *CUP | 1 | FUEL FILTER ASSY |
| 4-21 | 346-02230-0 | FUEL FILTER ASSY | 1 | |
| 4-22 | R-91355K47 | T-HOSE FITTING 1/4" | 1 | |
| 4-23 | R-CEL-65432-HFB3HFP/6 | FUEL LINE 1/8" 6" | 1 | HF Block to HF Plate |
| 4-24 | R-54605K32-TF2HFE/6.5 | FUEL LINE 1/4" 6.5" | 1 | T-Fitting to HF Elbow |
| 4-25 | R-L8599-3 | FUEL DONGLE | 1 | |
| 4-26 | R-5454K63 | *HEAVY FUEL BLOCK, HOSE FITTING | 2 | HEAVY FUEL BLOCK ASSY |
| 4-27 | R-FDB40 | *HEAVY FUEL DISTRIBUTION BLOCK | 1 | HEAVY FUEL BLOCK ASSY |
| 4-28 | R-4112T61 | *HEAVY FUEL VALVE | 1 | HEAVY FUEL BLOCK ASSY |
| 4-29 | R-1340404C | *HEAVY FUEL ELBOW | 1 | HEAVY FUEL BLOCK ASSY |
| 4-30 | R-DAO50 | FUEL DONGLE, ADAPTER | 1 | W/Brass Nut |
| 4-31 | R-5435K29 | OETIKER CLAMP 18.5" | 1 | |
| 4-32 | R-54605K32-LC2FF/17 | FUEL LINE 1/4" | 1 | Tray to Fuel Filter In 17" |
| 4-33 | R-54605K32-TF2FPO/5 | FUEL LINE 1/4" | 1 | T-Fitting to Fuel Pump Out 5" |
| 4-34 | 346-04901-2 | GASKET | 1 | |
| 4-35 | 356-04000-1 | FUEL PUMP ASSY | 1 | |
| 4-36 | 921503-6640 | SCREW | 1 | |
| 4-37 | R-54605K32-FFO2FPI/15 | FUEL LINE 1/4" | 1 | Fuel Filter Out to Fuel Pump In |
| 4-38 | R-CEL-65432-HFB2P/14 | FUEL LINE 1/8" | 1 | HF Block to Primer T-Fitting |
| 4-39 | 334-04004-0 | *PUMP COVER | 1 | |
| 4-40 | 9225126528M | *SCREW | 1 | |
| 4-41 | 334-04005-0 | *PUMP DIAPHRAGM | 1 | |
| 4-42 | 930222-0300 | *NUT | 2 | |
| 4-43 | 356-04030-0 | *DIAPHRAGM GASKET SET | 1 | |
| 4-44 | 921722-0306 | *SCREW | 2 | |
| 4-45 | 356-04044-0 | *CHECK VALVE | 2 | |
| 4-46 | 334-04007-0 | *DIAPHRAGM GASKET | 1 | |
| 4-47 | R-112-51905 | 1/8 FUEL LINE RETENTION BAND | 18 | Secure all 1/8 Fuel Lines |

*Assembly

** Modified

Carburetor (Fig 5.)



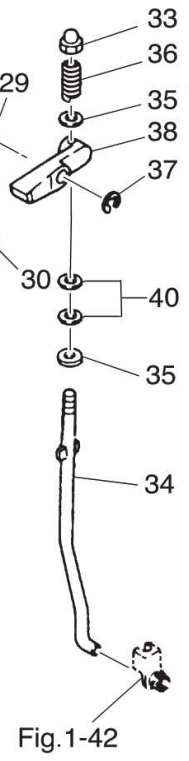
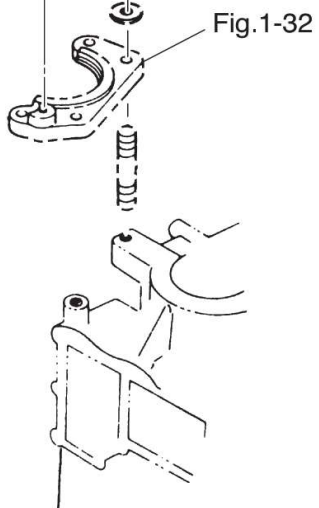
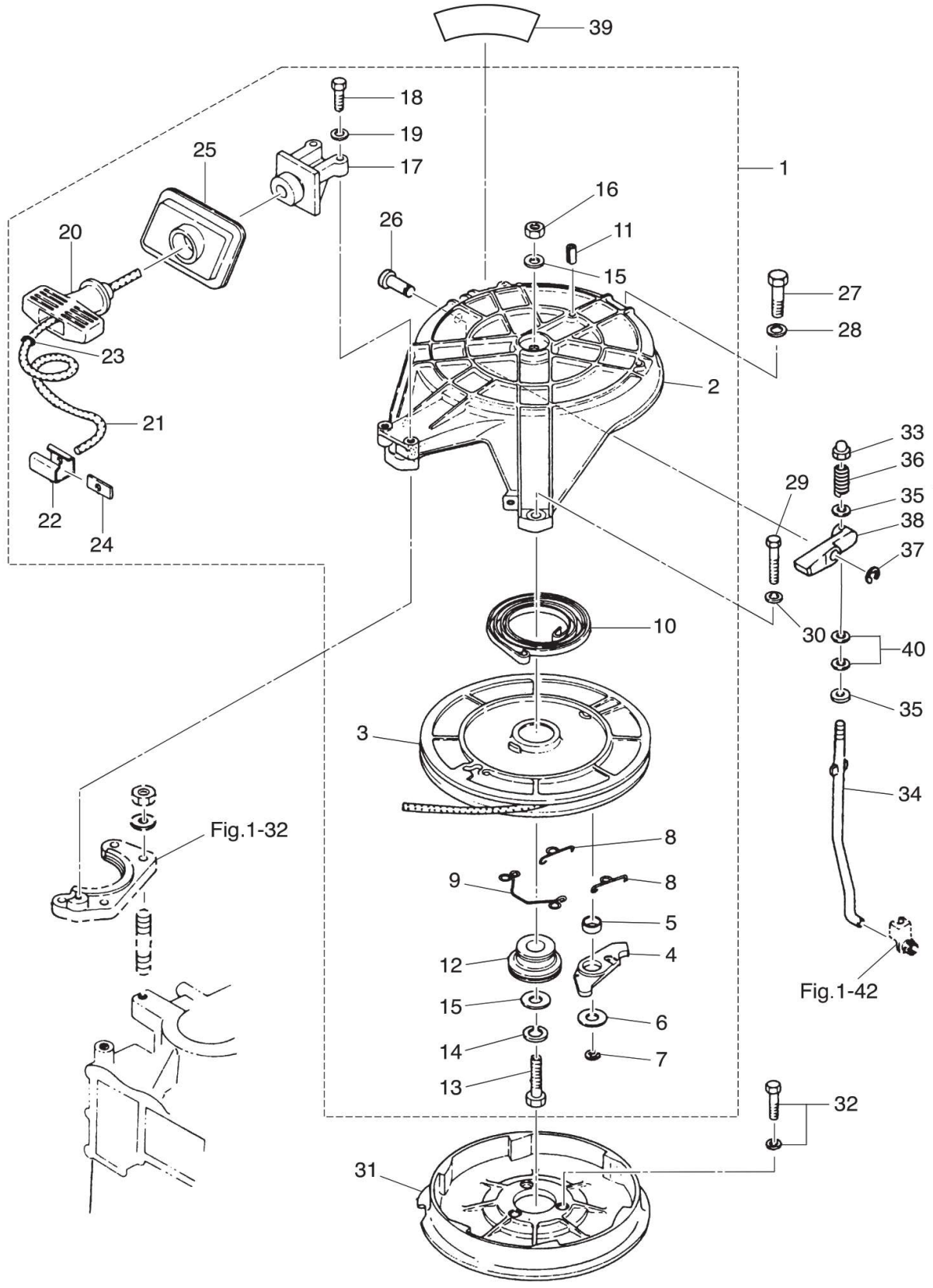
Carburetor

| Ref. No. | Part No. | Description | Qty | Remarks |
|----------|---------------|-------------------------------|-----|---------|
| 5-1 | R-345-03200-0 | CARBURETOR ASSY** | 1 | |
| 5-2 | R-TRNCB40 | * FLOAT CHAMBER** | 1 | Tritan |
| 5-3 | R-5454K63 | * FLOAT CHAMBER, HOSE FITTING | 1 | |
| 5-5 | 336-03222-0 | * FLOAT CHAMBER O-RING 1.9-64 | 1 | |
| 5-6 | 922503-6412 | * SCREW | 4 | |
| 5-7 | 334-03231-1 | * FLOAT | 1 | |
| 5-8 | 334-03232-0 | * FLOAT ARM PIN | 1 | |
| 5-9 | 345-03240-0 | * FLOAT VALVE | 1 | |
| 5-10 | 3B7-03240-0 | * FLOAT VALVE | 1 | |
| 5-11 | 345-03243-0 | * O-RING 1.3-5.7 | 1 | |
| 5-12 | 344-03244-0 | * CLIP | 1 | |
| 5-13 | 334-03241-0 | * CLIP PLATE | 1 | |
| 5-14 | 921521-0406 | * SCREW | 1 | |
| 5-15 | 334-03242-0 | * VALVE PIN | 1 | |
| 5-16 | 345-03252-0 | * MAIN NOZZLE | 1 | |
| 5-17 | 345-03251-1 | * MAIN JET (#220) | 1 | |
| 5-18 | 345-03254-0 | * SLOW JET (#110) | 1 | |
| 5-19 | 345-03253-0 | * MAIN AIR JET (#120) | 1 | |
| 5-20 | 345-03255-0 | * PILOT AIR JET (#120) | 1 | |
| 5-21 | 345-03261-0 | * PLUG SCREW | 1 | |
| 5-22 | 346-03265-0 | * STOP SCREW | 1 | |
| 5-23 | 346-03267-0 | * SPRING | 1 | |
| 5-24 | 345-03266-0 | * PILOT SCREW | 1 | |
| 5-25 | 346-03268-0 | * SPRING | 1 | |
| 5-26 | 345-03263-0 | * PLUG SCREW | 1 | |
| 5-27 | 345-03262-0 | * PLUG SCREW WASHER | 1 | |

*Assembly

** Modified

Recoil Starter (Fig 6.)



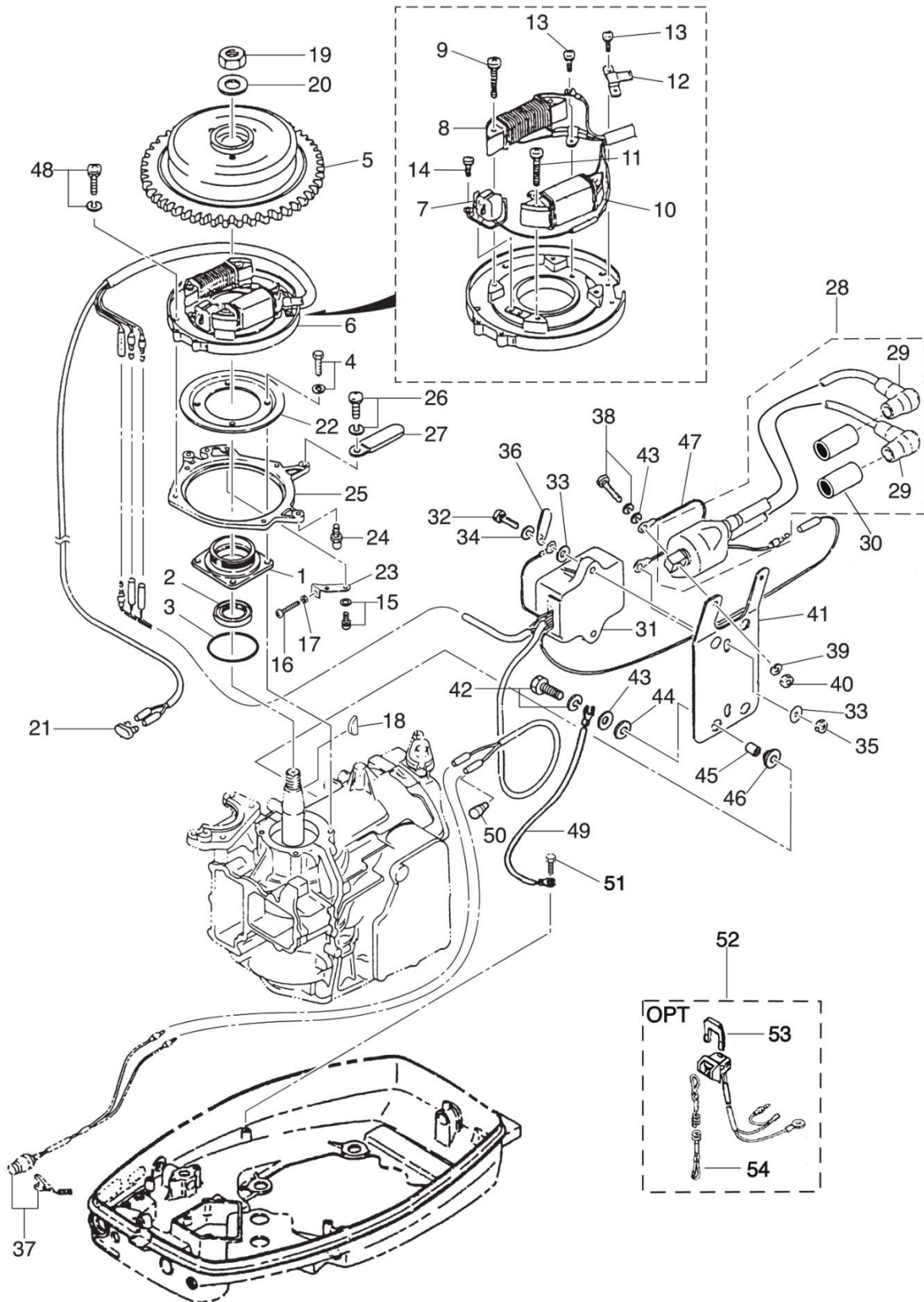
Recoil Starter

| Ref. No. | Part No. | Description | Qty | Remarks |
|----------|-------------|------------------------------|-----|---------|
| 6-1 | 361-05000-1 | RECOIL STARTER ASSY | 1 | |
| 6-2 | 345-05105-1 | * STARTER CASE | 1 | |
| 6-3 | 345-05104-1 | * REEL ASSY | 1 | |
| 6-4 | 345-05003-1 | * RATCHET | 1 | |
| 6-5 | 345-05135-1 | * BUSHING 14.7-15.9-6 | 1 | |
| 6-6 | 345-05122-1 | * WASHER 6.5-23-1.5 | 1 | |
| 6-7 | 945303-0500 | * E-RING d=5 | 1 | |
| 6-8 | 345-05123-1 | * RETURN SPRING | 2 | |
| 6-9 | 345-05124-0 | * RETURN SPRING | 1 | |
| 6-10 | 345-05004-1 | * STARTER SPRING | 1 | |
| 6-11 | 951403-0316 | * SPRING PIN 3-16 | 1 | |
| 6-12 | 345-05132-0 | * STARTER SHAFT | 1 | |
| 6-13 | 9101F4-0830 | * BOLT | 1 | |
| 6-14 | 941322-0800 | * SPRING WASHER | 2 | |
| 6-15 | 940121-0800 | * WASHER | 2 | |
| 6-16 | 930103-0800 | * NUT | 1 | |
| 6-17 | 336-05014-0 | * ROPE GUIDE | 1 | |
| 6-18 | 9101140625M | * BOLT | 2 | |
| 6-19 | 941303-0600 | * SPRING WASHER | 2 | |
| 6-20 | 338-05019-0 | * STARTER HANDLE | 1 | |
| 6-21 | 345-05013-1 | * STARTER ROPE ϕ 5-2000 | 1 | |
| 6-22 | 338-05131-0 | * ROPE ANCHOR | 1 | |
| 6-23 | 350-05136-0 | * O-RING 2.5-4.5 | 1 | |
| 6-24 | 345-05134-0 | * ROPE ANCHOR PLATE | 1 | |
| 6-25 | 344-05116-0 | * SEALING PLATE | 1 | |
| 6-26 | 345-05225-1 | * STARTER LOCK LEVER SHAFT | 1 | |
| 6-27 | 9101140830M | BOLT | 1 | |
| 6-28 | 941303-0800 | SPRING WASHER | 1 | |
| 6-29 | 9101140625M | BOLT | 2 | |
| 6-30 | 941303-0600 | SPRING WASHER | 2 | |
| 6-31 | 345-05901-1 | STARTER PULLEY | 1 | |
| 6-32 | 910121-6625 | BOLT | 3 | |
| 6-33 | R-95514A102 | CAP NUT | 1 | SS |
| 6-34 | 345-05217-1 | STARTER LOCK ROD | 1 | |
| 6-35 | 940103-0400 | WASHER | 2 | |
| 6-36 | 345-05216-0 | STARTER LOCK SPRING | 1 | |
| 6-37 | 945303-0600 | E-RING d=6 | 1 | |
| 6-38 | 345-05226-0 | STARTER LOCK LEVER | 1 | |
| 6-39 | 3C7-72182-2 | CAUTION DECAL (C) | 1 | |
| 6-40 | R-92141A009 | SPACER | 2 | |

*Assembly

** Modified

MAGNETO (Fig 7.)



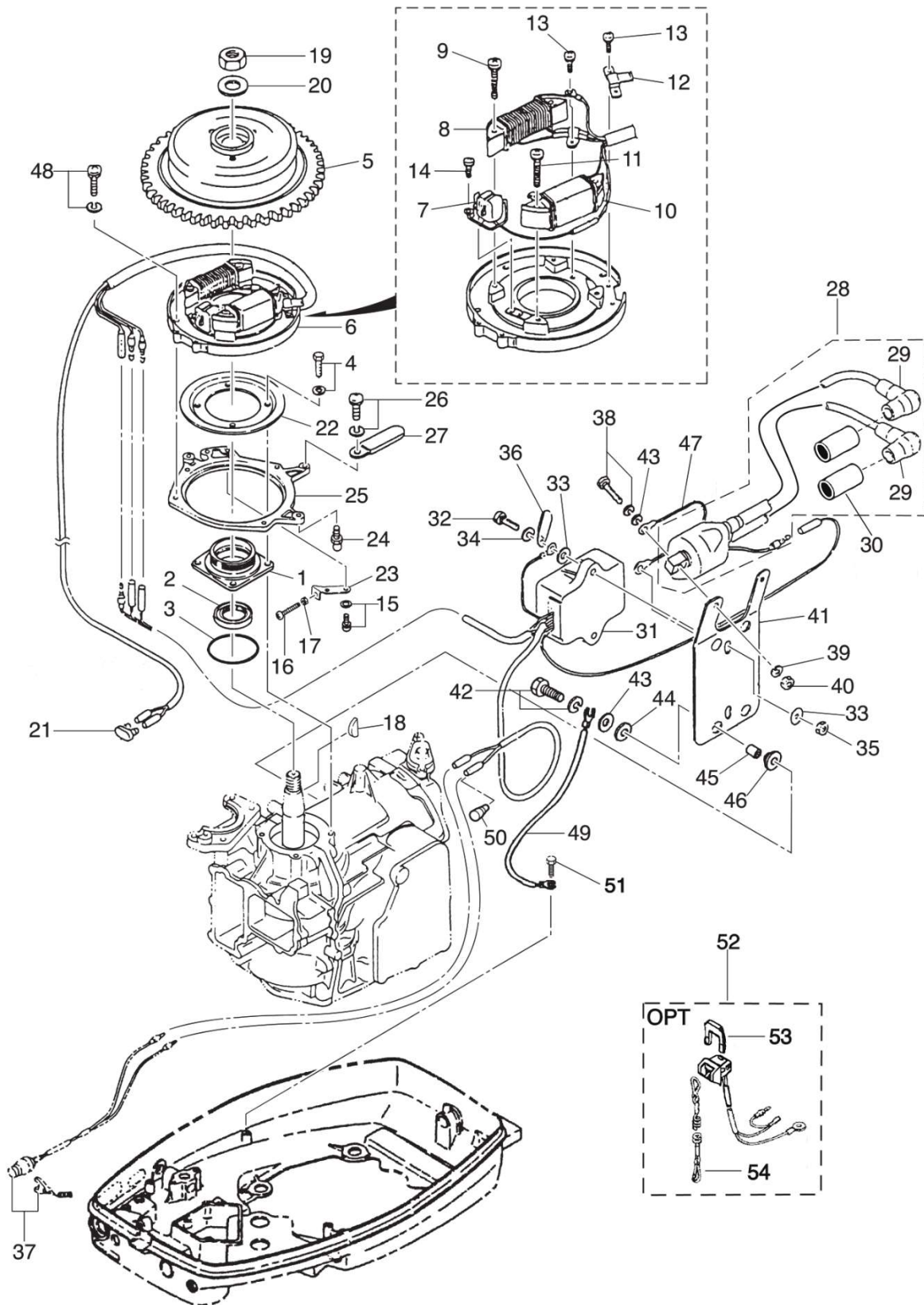
MAGNETO

| Ref. No. | Part No. | Description | Qty | Remarks |
|----------|---------------|------------------------------|-----|---------|
| 7-1 | 345-01401-0 | MAGNETO BASEMENT | 1 | |
| 7-2 | 126-00121-0 | OIL SEAL 30-45-8 | 1 | |
| 7-3 | 338-01403-0 | O-RING 2-55.5 | 1 | |
| 7-4 | 910121-6620 | BOLT | 4 | |
| 7-5 | 361-06091-0 | FLYWHEEL W/GEAR | 1 | |
| 7-6 | 3A0-06002-0 | COIL PLATE ASSY W/ALTERNATOR | 1 | |
| 7-7 | 3G2-06022-0 | * PULSAR COIL | 1 | |
| 7-8 | 3A0-06023-0 | * ALTERNATOR ASSY | 1 | |
| 7-9 | 921521-6528 | * SCREW | 2 | |
| 7-10 | 3G2-06021-1 | * EXCITER COIL | 1 | |
| 7-11 | 921521-6522 | * SCREW | 2 | |
| 7-12 | 350-06025-0 | * HOLDER | 1 | |
| 7-13 | 921521-6406 | * SCREW | 3 | |
| 7-14 | 921521-6408 | * SCREW | 2 | |
| 7-15 | 921521-6510 | SCREW | 2 | |
| 7-16 | 921503-0530 | SCREW | 1 | |
| 7-17 | 930103-0500 | NUT | 1 | |
| 7-18 | 334-00131-0 | KEY | 1 | |
| 7-19 | 931121-1600 | NUT | 1 | |
| 7-20 | 345-00133-0 | WASHER 16-28-3.2 | 1 | |
| 7-21 | 353-76037-0 | CABLE TERMINAL PLUG | 1 | |
| 7-22 | 346-63722-2 | GUIDE PLATE | 1 | |
| 7-23 | 348-05233-0 | COIL PLATE STOPPER | 1 | |
| 7-24 | 346-05228-1 | BALL JOINT | 1 | |
| 7-25 | 353-63723-1 | SETTING RING | 1 | |
| 7-26 | 922521-6510 | SCREW | 1 | |
| 7-27 | 3PR069720M | CLAMP 6.5-47.5P | 1 | |
| 7-28 | R-3C1-06048-0 | **IGNITION COIL ASSY | 1 | |
| 7-29 | R-LB05EP 8020 | * PLUG CAP W/RESISTANCE | 2 | NGK |
| 7-30 | R-SPB4050 | * 2" BOOT EXTENDER | 2 | |
| 7-31 | 361-06060-1 | CD UNIT | 1 | |
| 7-32 | 910103-0625 | BOLT | 2 | |
| 7-33 | 3C8-66308-0 | WASHER 6-16-1.5 | 4 | |
| 7-34 | 941303-0600 | SPRING WASHER | 2 | |
| 7-35 | 930103-0600 | NUT | 2 | |
| 7-36 | 3PR069720M | CLAMP 6.5-47.5P | 1 | |
| 7-37 | 398-06830-0 | *STOP SWITCH LANYARD ASSY | 1 | |
| 7-38 | 9101E35620M | BOLT & WASHER | 2 | |
| 7-39 | 941303-0600 | SPRING WASHER | 2 | |
| 7-40 | 930103-0600 | NUT | 2 | |
| 7-41 | 3A0-06322-1 | PLATE | 1 | |
| 7-42 | 910103-6625 | BOLT | 3 | |
| 7-43 | 3C8-66308-0 | WASHER 6-16-1.5 | 3 | |
| 7-44 | 3H6760791M | RUBBER MOUNT 9-16-4.3 | 3 | |
| 7-45 | 3A0-76079-0 | COLLAR 6.2-9-7.4 | 3 | |
| 7-46 | 3F3-06920-0 | RUBBER MOUNT 8.5-12-2 | 3 | |

*Assembly

** Modified

MAGNETO



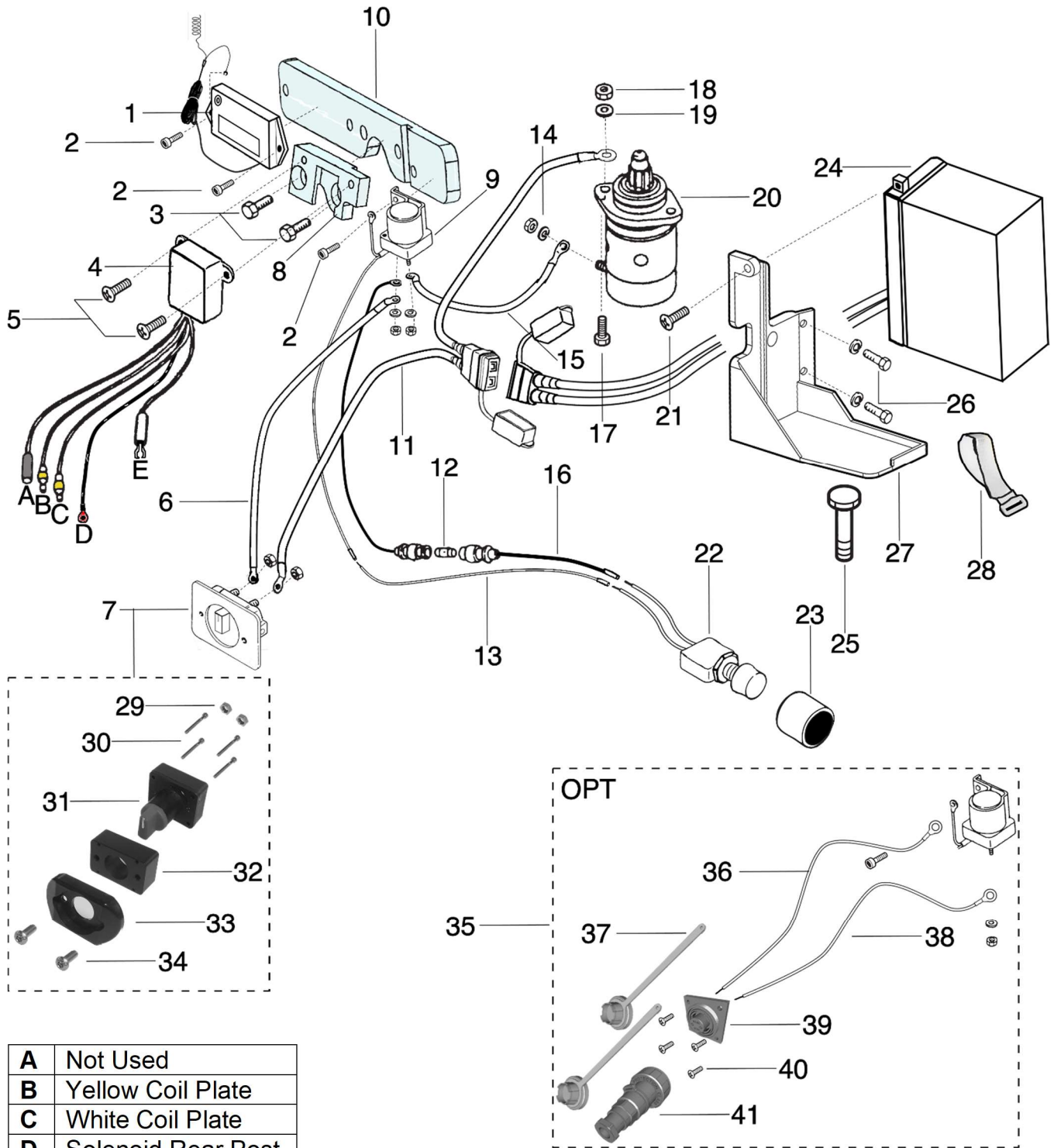
MAGNETO

| Ref. No. | Part No. | Description | Qty | Remarks |
|----------|---------------|-------------------------|-----|---------|
| 7-47 | 3B7-76142-1 | GROUND CABLE L=120 | 1 | |
| 7-48 | 922521-6510 | SCREW | 4 | |
| 7-49 | 3C7-76142-1 | GROUND CABLE L=170 | 1 | |
| 7-50 | 3T5760370M | CABLE TERMINAL PLUG | 2 | |
| 7-51 | 910103-0612 | BOLT | 1 | |
| 7-52 | R-87-826677A3 | CUT-OFF SW/LANYARD ASSY | 1 | OPT EU |
| 7-53 | R-8M0032846 | *RETAINER BRASS | 1 | OPT EU |
| 7-54 | R-8M0092850 | *LANYARD CORD ASSEMBLY | 1 | OPT EU |

*Assembly

** Modified

Electric Parts (Fig 8.)



| | |
|----------|--------------------|
| A | Not Used |
| B | Yellow Coil Plate |
| C | White Coil Plate |
| D | Solenoid Rear Post |
| E | Solenoid Ground |

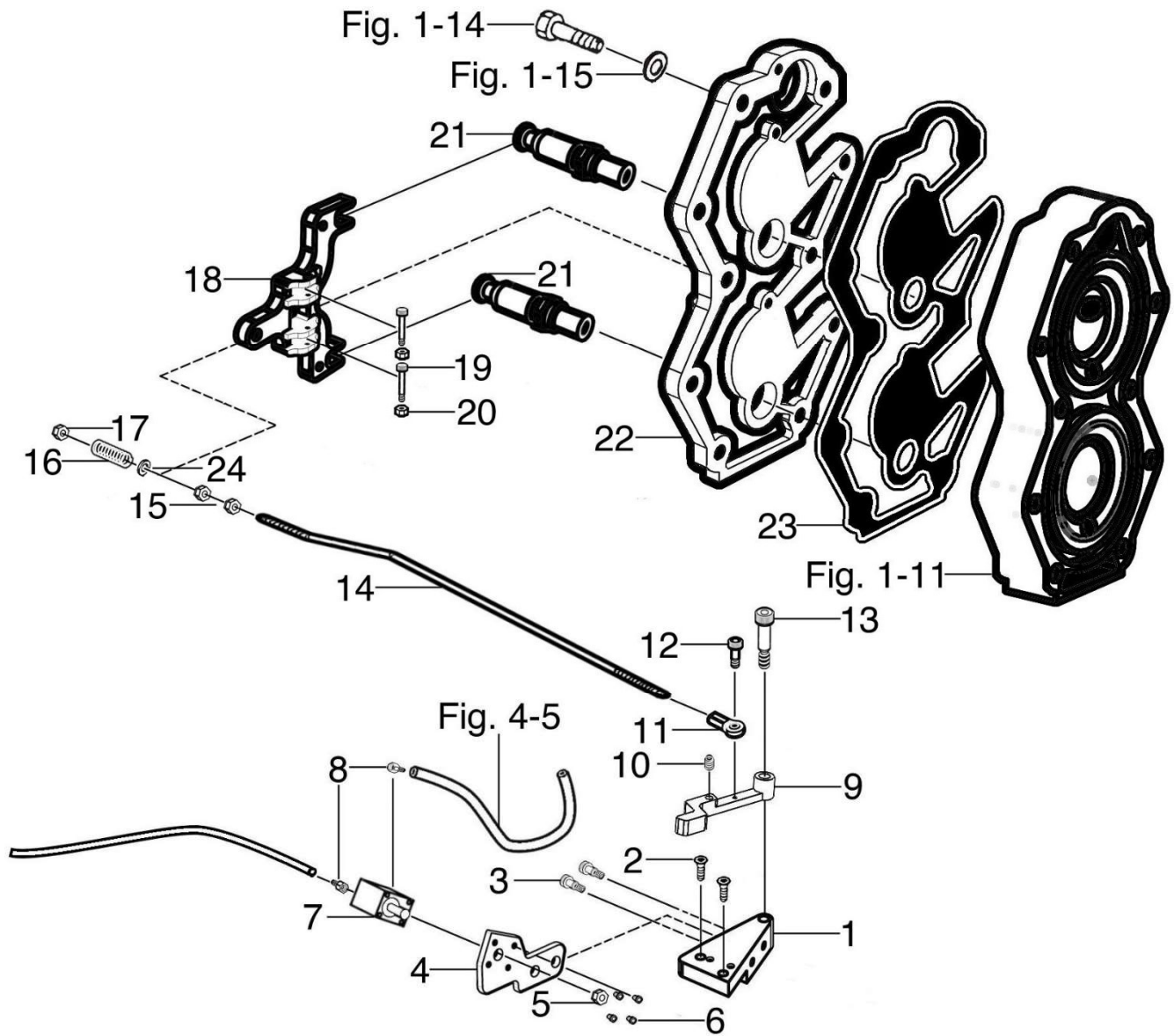
Electric Parts

| Ref. No. | Part No. | Description | Qty | Remarks |
|----------|---------------|----------------------------------|-----|-----------------------------|
| 8-1 | R-RL-HM026 | TACHOMETER | 1 | |
| 8-2 | R-91292A134 | CAP HEAD SCREW | 3 | Tachometer/Solenoid |
| 8-3 | R-91287A141 | HEX BOLT/BRACKET/RECTIFIER | 2 | |
| 8-4 | R-193-5114 | RECTIFIER | 1 | |
| 8-5 | R-91772A829 | SCREW/RECTIFIER | 2 | |
| 8-6 | R-9E | CABLE/DISCONNECT 9" | 1 | Disconnect to Solenoid |
| 8-7 | R-BDSW4050 | DISCONNECT SWITCH/BATTERY ASSY** | 1 | |
| 8-8 | R-RRAB40 | BRACKET/RECTIFIER | 1 | |
| 8-9 | 346-76040-0 | STARTER SOLENOID | 1 | |
| 8-10 | R-HMB40 | TACHOMETER BAR/ELECTRICAL | 1 | |
| 8-11 | R-LH40 | LOAD HARNESS | 1 | |
| 8-12 | R-82115 | FUSE 20A | 1 | |
| 8-13 | R-CPT4050 | WIRE/GROUND | 1 | Start Switch to Solenoid |
| 8-14 | R-90710A038 | HEX NUT/WASHER/STARTER | 1 | M6X1 SS 18-8 |
| 8-15 | R-9E | CABLE/STARTER | 1 | Solenoid to Starter |
| 8-16 | 3B2760620M | FUSE WIRE ASSY L=355 | 1 | |
| 8-17 | 910103-0830 | HEX BOLT/STARTER MOTOR | 1 | |
| 8-18 | 930103-0800 | NUT/STARTER MOTOR | 1 | |
| 8-19 | 941303-0600 | SPRING WASHER/STARTER MOTOR | 1 | |
| 8-20 | 346-76010-0 | STARTER MOTOR ASSY** | 1 | |
| 8-21 | R-90604A545 | SCREW/BATTERY TRAY | 1 | |
| 8-22 | R-17951252 | START SWITCH | 1 | |
| 8-23 | R-ESBC4050 | COVER/START SWITCH | 1 | |
| 8-24 | R-STBT4050 | *START BATTERY ASSY** | 1 | |
| 8-25 | R-BSSM6 | SHOULDER BOLT/BATTERY TRAY | 1 | |
| 8-26 | 9101E30630M | BOLT/WASHER/INTAKE MANIFOLD | 2 | |
| 8-27 | R-PRBH40 | BATTERY TRAY | 1 | |
| 8-28 | R-3955T282 | STRAP/BATTERY TRAY | 1 | |
| 8-29 | R-93187A250 | *HEX NUT/BRASS | 2 | M6X1 Brass |
| 8-30 | R-92196A115 | *SCREW 4/40X1 | 4 | |
| 8-31 | R-BDSW | *DISCONNECT SWITCH/BATTERY | 1 | |
| 8-32 | R-BDS4050 | *SPACER/DISCONNECT SWITCH | 1 | |
| 8-33 | R-BSWH4050 | *FACE PLATE/DISCONNECT SWITCH | 1 | |
| 8-34 | R-92095A238 | *SCREW M6X16 | 2 | |
| 8-35 | R-DAPU | DC ACCESSORY PLUG ASSY | 1 | |
| 8-36 | R-UL1426 | *WIRE/GROUND (BLACK) 1FT | 1 | Solenoid Ground Black |
| 8-37 | R-PX0733 | *SEALING CAP | 1 | Bulgin |
| 8-38 | 3B2-76062-0X1 | *WIRE/SOLENOID (RED) | 1 | Solenoid Rear Post Red |
| 8-39 | R-PX0764/S | 2 Pole Flange SKT LOW PROFILE | 1 | Bulgin |
| 8-40 | R-97763A143 | Button Head Hex Drive Screws | 4 | 6-32 Thread Size, 1/2" Long |
| 8-41 | R-PX0736/P | *2 POLE FLEX PLUG | 1 | Bulgin |

*Assembly

** Modified

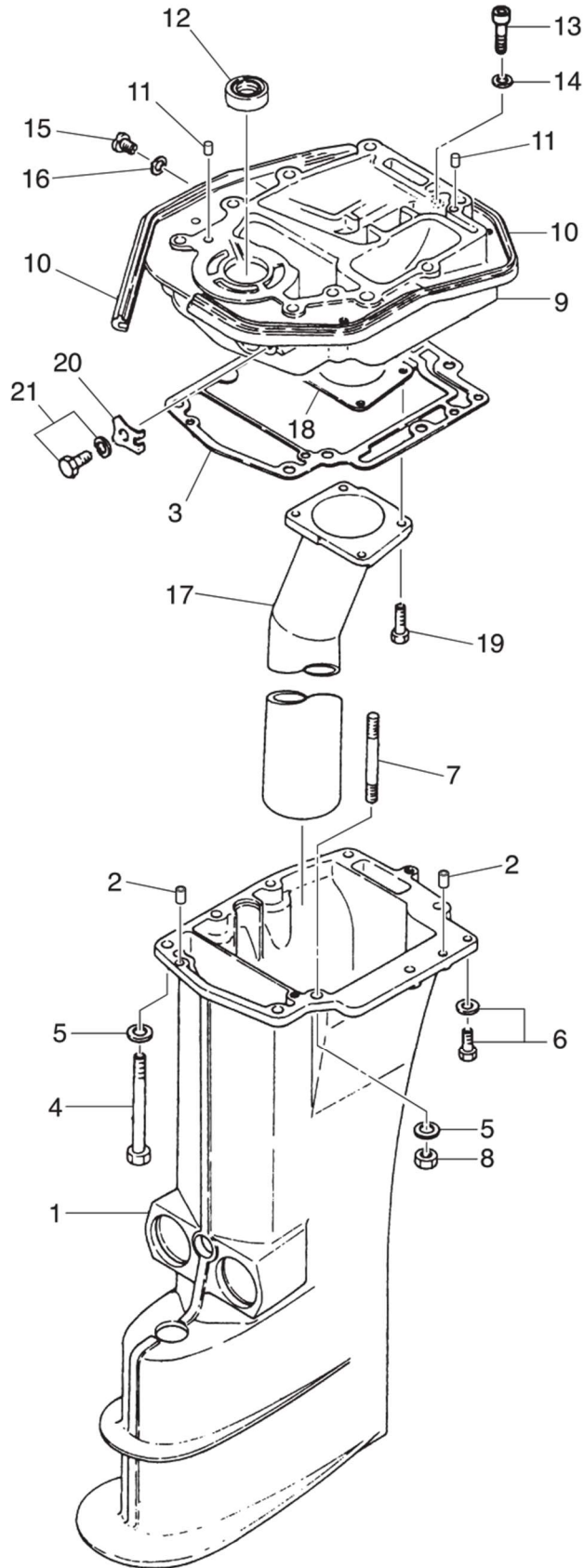
Dewatering (Fig. 9)



Dewatering

| Ref. No. | Part No. | Description | Qty | Remarks |
|----------|-------------|---------------------------------|-----|------------------|
| 9-1 | R-DVB40 | BRACKET (DV) | 1 | |
| 9-2 | R-93395A359 | HEX FLAT SCREW M6X10MM | 2 | |
| 9-3 | R-96006A703 | SOCKET CAP SCREW (DV) | 2 | |
| 9-4 | R-BDWM4050 | BRACKET, DEWATERING LEVER | 1 | |
| 9-5 | R-91831A029 | LOCKNUT (DV) | 1 | |
| 9-6 | R-97763A143 | BRACKET SCREW (DV) | 4 | |
| 9-7 | R-RRDV-1 | DEWATERING VALVE (DV) | 1 | |
| 9-8 | R-11752-1 | HOSE FITTING (DV) | 2 | |
| 9-9 | R-DWL4050 | DEWATERING LEVER | 1 | |
| 9-10 | R-3408A42 | SPRING BALL NOSE PLUNGER | 1 | |
| 9-11 | R-2988K31 | BALL SOCKET SWIVEL | 1 | |
| 9-12 | R-97345A483 | SHOULDER BOLT 3-16/5-16 | 1 | |
| 9-13 | R-97345A622 | SHOULDER BOLT 1/4 | 1 | |
| 9-14 | R-40DWR | ROD, DEWATERING | 1 | |
| 9-15 | R-91828A241 | NUT | 2 | |
| 9-16 | R-1985K71 | SPRING | 1 | |
| 9-17 | R-93625A200 | NYLOCK NUT M5 SS | 1 | |
| 9-18 | R-DWF40 | DEWATERING FINGERS | 1 | |
| 9-19 | R-94035A135 | SHOULDER SCREW 1/8 DIA 5/8 LGTH | 2 | |
| 9-20 | R-91831A005 | SHOULDER NUT 440 NYLON | 2 | |
| 9-21 | R-3642 | DECOMPRESSION VALVE | 2 | |
| 9-22 | R-HCPLT40 | CYLINDER HEAD COVER | 1 | head Cover Plate |
| 9-23 | R-3074 | WATER JACKET GASKET | 1 | |
| 9-24 | R-90107A011 | WASHER | 1 | |

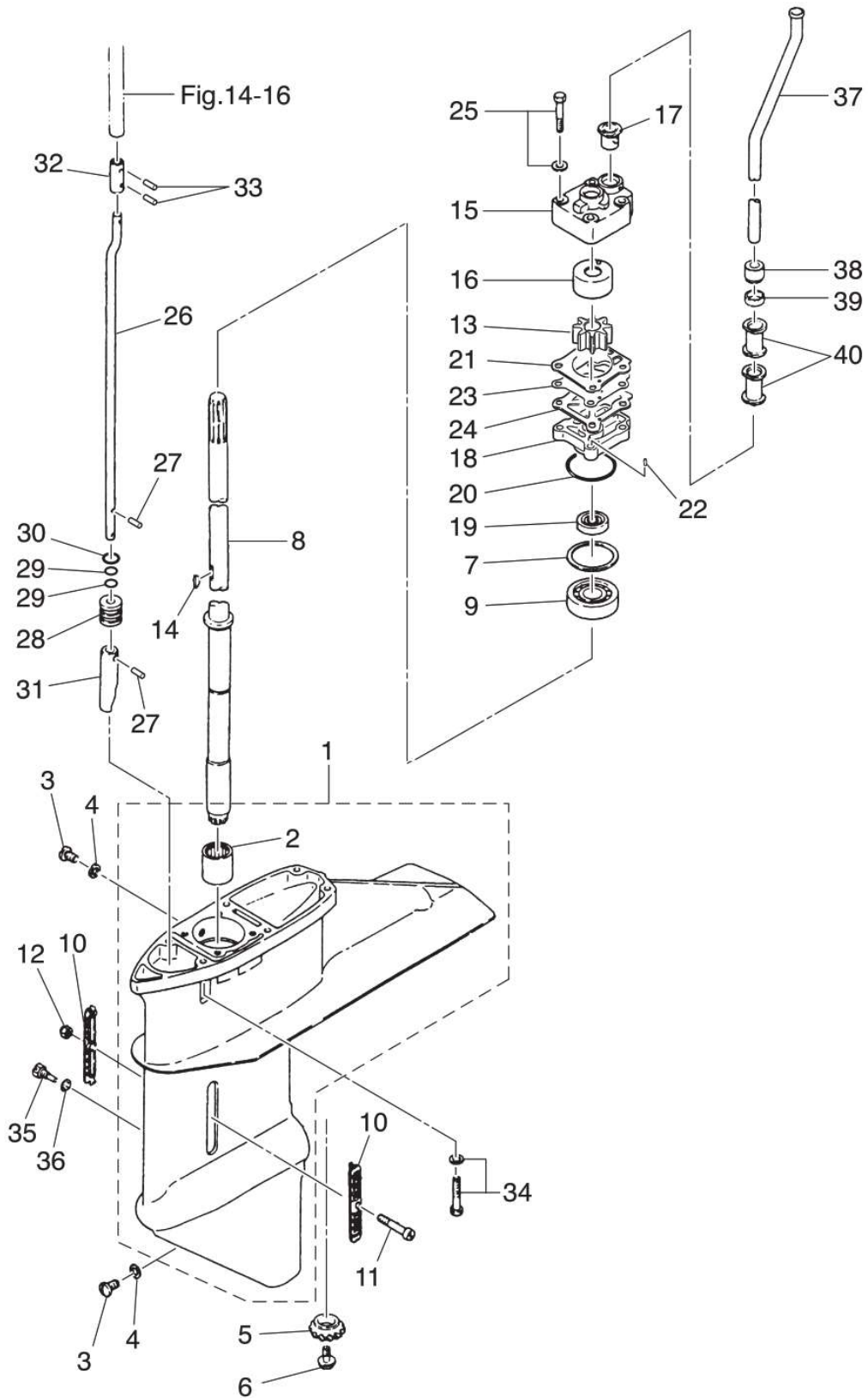
Drive Shaft Housing (Fig. 10)



Drive Shaft Housing

| Ref. No. | Part No. | Description | Qty | Remarks |
|----------|-------------|----------------------------|-----|---------|
| 10-1 | 345Q61020-2 | DRIVE SHAFT HOUSING (S) | 1 | |
| 10-1 | 361Q61030-1 | DRIVE SHAFT HOUSING (L) | 1 | |
| 10-2 | 345-01111-0 | DOWEL PIN 6-12 | 2 | |
| 10-3 | 345-61012-1 | DRIVE SHAFT HOUSING GASKET | 1 | |
| 10-4 | 9161E3-0885 | BOLT | 8 | |
| 10-5 | 3P0-66233-0 | WASHER 8.1-16-1.5 | 8 | |
| 10-6 | 9101E3-5620 | BOLT | 1 | |
| 10-7 | 345-61111-1 | STUD | 1 | |
| 10-8 | 930103-0800 | NUT | 1 | |
| 10-9 | 345Q01301-0 | ENGINE BASEMENT | 1 | |
| 10-10 | 345-67116-0 | ENGINE BASEMENT SEAL L=400 | 2 | |
| 10-11 | 345-01111-0 | DOWEL PIN 6-12 | 2 | |
| 10-12 | 345-01215-0 | OIL SEAL 17-30-8 | 1 | |
| 10-13 | 910203-0640 | BOLT | 2 | |
| 10-14 | 941303-0600 | SPRING WASHER | 2 | |
| 10-15 | 9106E3-0808 | BOLT | 1 | |
| 10-16 | 332600061M | GASKET 8.1-15-1 | 1 | |
| 10-17 | 361-02311-1 | EXHAUST PIPE | 1 | |
| 10-18 | 345-02312-1 | EXHAUST PIPE GASKET | 1 | |
| 10-19 | 9101E3-5625 | BOLT | 4 | |
| 10-20 | 345-61312-1 | RUBBER MOUNT RETAINER | 2 | |
| 10-21 | 9101035820M | BOLT | 2 | |

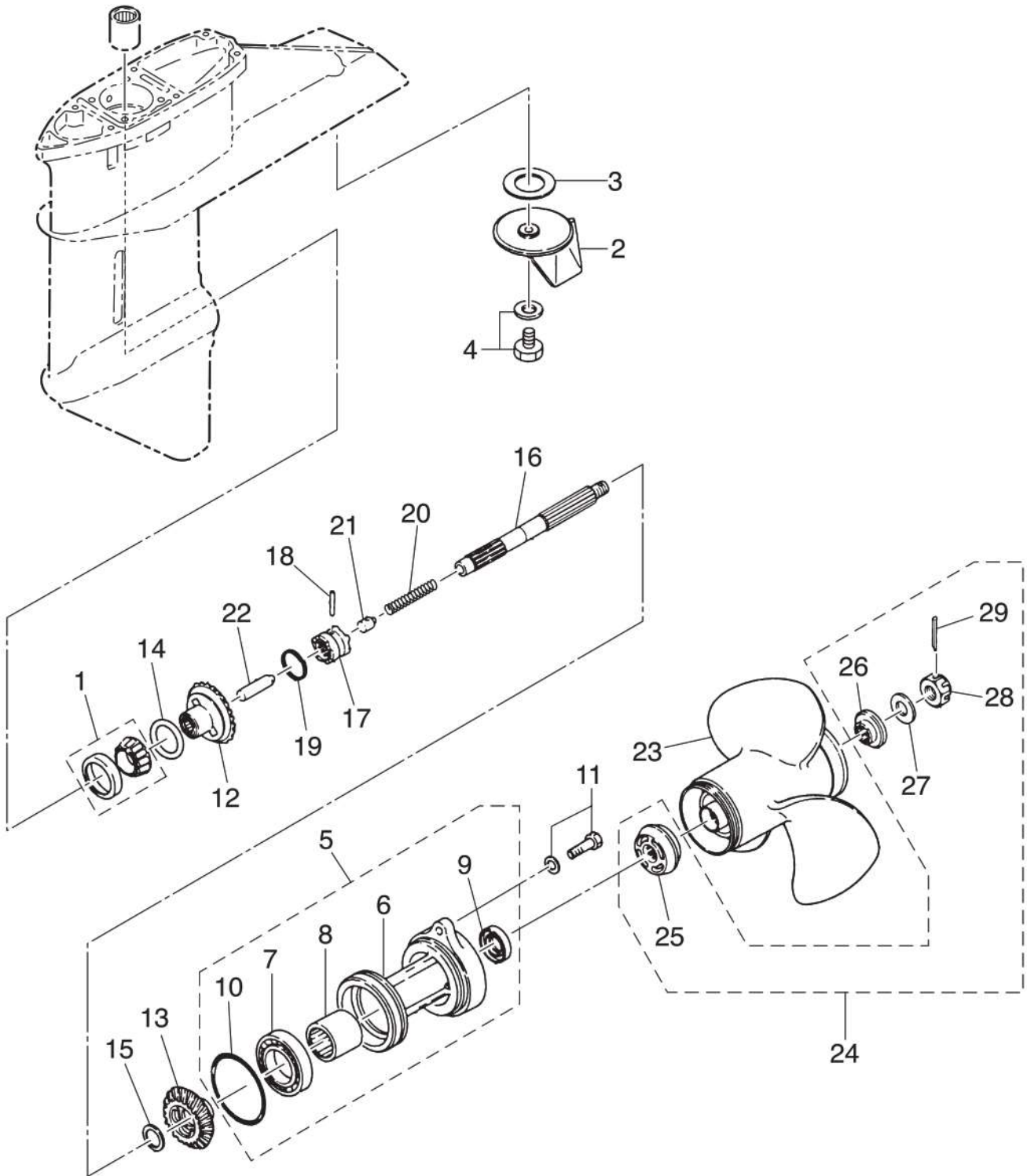
Gear Case (Drive Shaft) (Fig. 11)



Gear Case (Drive Shaft)

| Ref. No. | Part No. | Description | Qty | Remarks |
|----------|-------------|------------------------------|-----|----------|
| 11-1 | 361Q60000-0 | GEAR CASE ASSY | 1 | |
| 11-2 | 345-60211-0 | * ROLLER BEARING 22-30-30 | 1 | |
| 11-3 | 332-60005-2 | OIL PLUG 8-8 | 2 | |
| 11-4 | 332600061M | GASKET 8.1-15-1 | 2 | |
| 11-5 | 345-64020-1 | BEVEL GEAR B | 1 | |
| 11-6 | 345-64025-0 | BOLT | 1 | |
| 11-7 | 345640230M | SHIM 41-51.5-0.1 | A | SHIM KIT |
| 11-7 | 345640230M | SHIM 41-51.5-0.15 | A | SHIM KIT |
| 11-7 | 345640230M | SHIM 41-51.5-0.3 | A | SHIM KIT |
| 11-7 | 345640230M | SHIM 41-51.5-0.5 | A | SHIM KIT |
| 11-8 | 345-64302-0 | DRIVE SHAFT (L) | 1 | |
| 11-9 | 345-60213-0 | TAPERED ROLLER BEARING 32304 | 1 | |
| 11-10 | 345-60206-1 | WATER STRAINER | 2 | |
| 11-11 | 921503-0440 | SCREW, WATER STRAINER | 1 | |
| 11-12 | 930403-0400 | NYLON NUT 4-P0.7 | 1 | |
| 11-13 | 345-65021-0 | WATER PUMP IMPELLER | 1 | |
| 11-14 | 332-65022-0 | KEY | 1 | |
| 11-15 | 348-65016-1 | PUMP CASE (UPPER) | 1 | |
| 11-16 | 348-65011-0 | PUMP CASE LINER | 1 | |
| 11-17 | 3B7-65014-0 | WATER PIPE SEAL (LOWER) | 1 | |
| 11-18 | 348-65017-1 | PUMP CASE (LOWER) | 1 | |
| 11-19 | 332-60111-0 | OIL SEAL 17-33-9.5 | 1 | |
| 11-20 | 345-65015-0 | O-RING 3.2-47 | 1 | |
| 11-21 | 348-65018-0 | PUMP CASE GASKET | 1 | |
| 11-22 | 334-65012-0 | DOWEL PIN 4-10 | 2 | |
| 11-23 | 348-65025-0 | WATER PUMP GUIDE PLATE | 1 | |
| 11-24 | 348-65029-1 | GUIDE PLATE GASKET | 1 | |
| 11-25 | 9101E3-5652 | BOLT | 4 | |
| 11-26 | 348-66013-0 | CAM ROD (L) | 1 | |
| 11-27 | 951403-0316 | SPRING PIN 3-16 | 2 | |
| 11-28 | 345-66031-1 | CAM ROD BUSHING | 1 | |
| 11-29 | 345-66021-0 | O-RING 1.9-6.8 | 2 | |
| 11-30 | 332-66032-0 | O-RING 2.4-15.4 | 1 | |
| 11-31 | 348-66011-0 | CLUTCH CAM | 1 | |
| 11-32 | 345-66241-0 | SHIFT ROD JOINT | 1 | |
| 11-33 | 951403-0312 | SPRING PIN 3-12 | 2 | |
| 11-34 | 9101E3-5840 | BOLT and WASHER | 6 | |
| 11-35 | 301-66024-1 | STOPPER | 1 | |
| 11-36 | 301-66025-0 | GASKET 6.2-11-1 | 1 | |
| 11-37 | 345-65110-1 | WATER PIPE (L) | 1 | |
| 11-38 | 345-65206-0 | WATER PIPE SEAL (UPPER) | 1 | |
| 11-39 | 345-65205-0 | COLLAR 18-20-4.5 | 1 | |
| 11-40 | 346-65204-0 | WATER PIPE AUXILIARY MOUNT | 2 | |

Gear Case (Propeller Shaft) (Fig. 12)

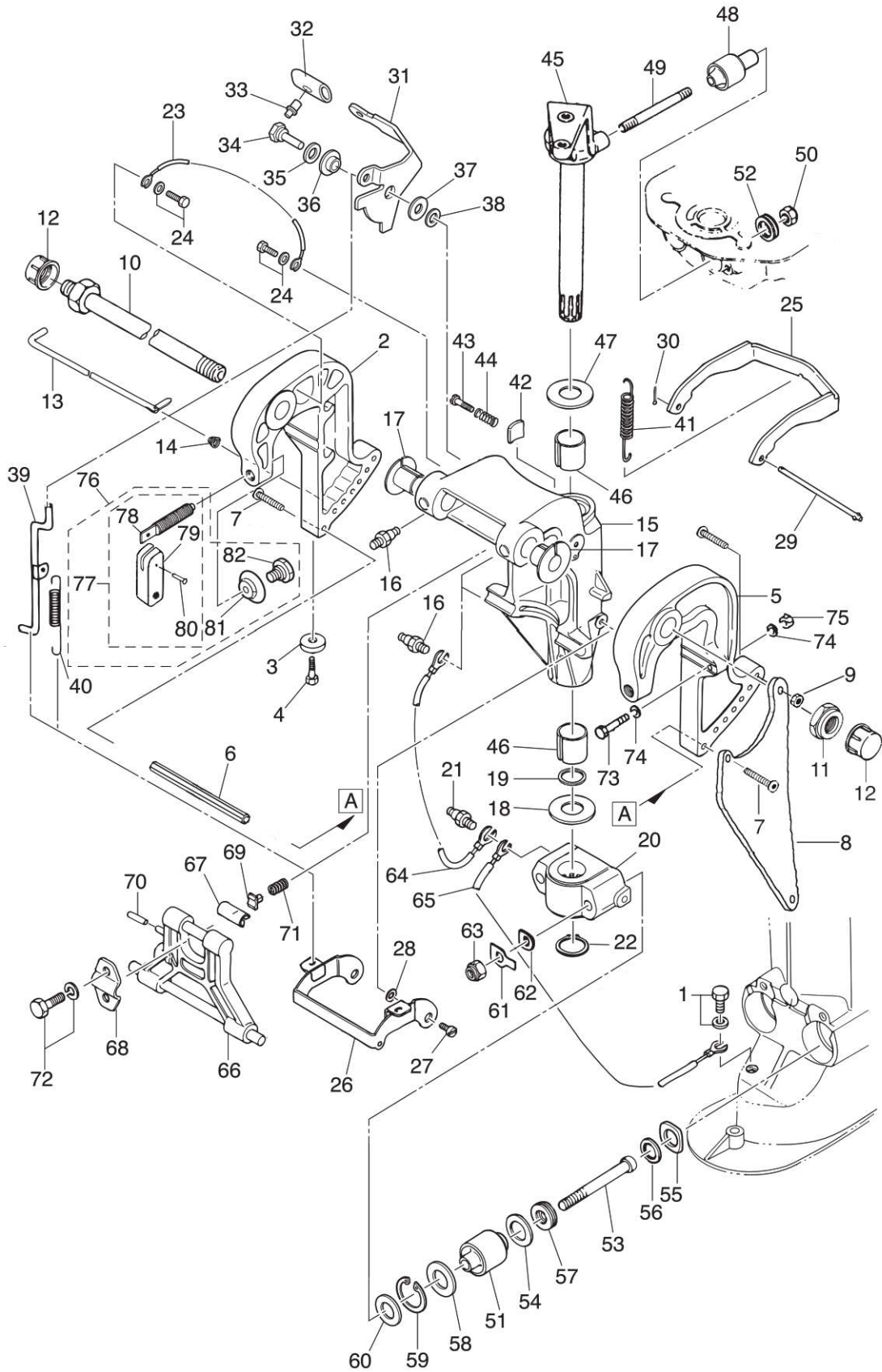


Gear Case (Propeller Shaft)

| Ref. No. | Part No. | Description | Qty | Remarks |
|----------|-------------|------------------------------|-----|------------|
| 12-1 | 345-60215-0 | TAPERED ROLLER BEARING 32007 | 1 | |
| 12-2 | 348-60217-0 | TRIM TAB | 1 | |
| 12-3 | 353-60219-0 | TRIM TAB GASKET | 1 | |
| 12-4 | 910103-5618 | BOLT | 1 | |
| 12-5 | 345N873230 | PROPELLER SHAFT HOUSING ASSY | 1 | |
| 12-6 | 345Q60101-1 | * PROPELLER SHAFT HOUSING | 1 | |
| 12-7 | 9601-0-6007 | * BALL BEARING 6007 | 1 | |
| 12-8 | 345-60211-0 | * ROLLER BEARING 22-30-30 | 1 | |
| 12-9 | 334-60223-0 | * OIL SEAL 22-36-10 | 1 | |
| 12-10 | 345-60103-0 | * O-RING 3.5-69.4 | 1 | |
| 12-11 | 9101035830M | BOLT | 2 | |
| 12-12 | 348-64010-1 | BEVEL GEAR ASSY (A) | 1 | |
| 12-13 | 348-64030-0 | BEVEL GEAR C | 1 | |
| 12-14 | 353640330M | SHIM 36-44-0.3 | A | |
| 12-14 | 353640330M | SHIM 36-44-0.15 | A | |
| 12-14 | 353640330M | SHIM 36-44-0.1 | A | |
| 12-15 | 345-64032-0 | WASHER 22.1-28-3 | 1 | |
| 12-16 | 348-64211-0 | PROPELLER SHAFT | 1 | |
| 12-17 | 348-64215-0 | CLUTCH | 1 | |
| 12-18 | 345-64217-0 | PIN | 1 | |
| 12-19 | 345-64219-0 | SNAP/LOCK RING | 1 | |
| 12-20 | 345-64221-0 | SPRING | 1 | |
| 12-21 | 345-64222-0 | SPRING RETAINER | 1 | |
| 12-22 | 345-64223-0 | PUSH ROD | 1 | |
| 12-23 | | PROPELLER ASSY (9") | 1 | Load Prop |
| 12-23 | 361B64109-1 | PROPELLER ASSY (10") | 1 | |
| 12-23 | 3T5B645230 | PROPELLER ASSY (11") | 1 | Speed Prop |
| 12-23 | 3T5B64525-0 | PROPELLER ASSY (12") | 1 | |
| 12-23 | 3T5B64527-0 | PROPELLER ASSY (13") | 1 | |
| 12-23 | 3T5B64529-0 | PROPELLER ASSY (14") | 1 | |
| 12-23 | 348B64108-1 | PROPELLER ASSY (7") | 1 | |
| 12-24 | 361-87326-0 | PROPELLER HARDWARE KIT | 1 | |
| 12-25 | 3C8-64231-0 | * THRUST HOLDER | 1 | |
| 12-26 | 348-64232-0 | * STOPPER | 1 | |
| 12-27 | 345-64124-0 | * WASHER 17-32-3 | 1 | |
| 12-28 | 345-64121-0 | * PROPELLER NUT | 1 | |
| 12-29 | 951503-0325 | * SPLIT PIN 3-25 | 1 | |

*Assembly

Stern Bracket (Fig. 13)



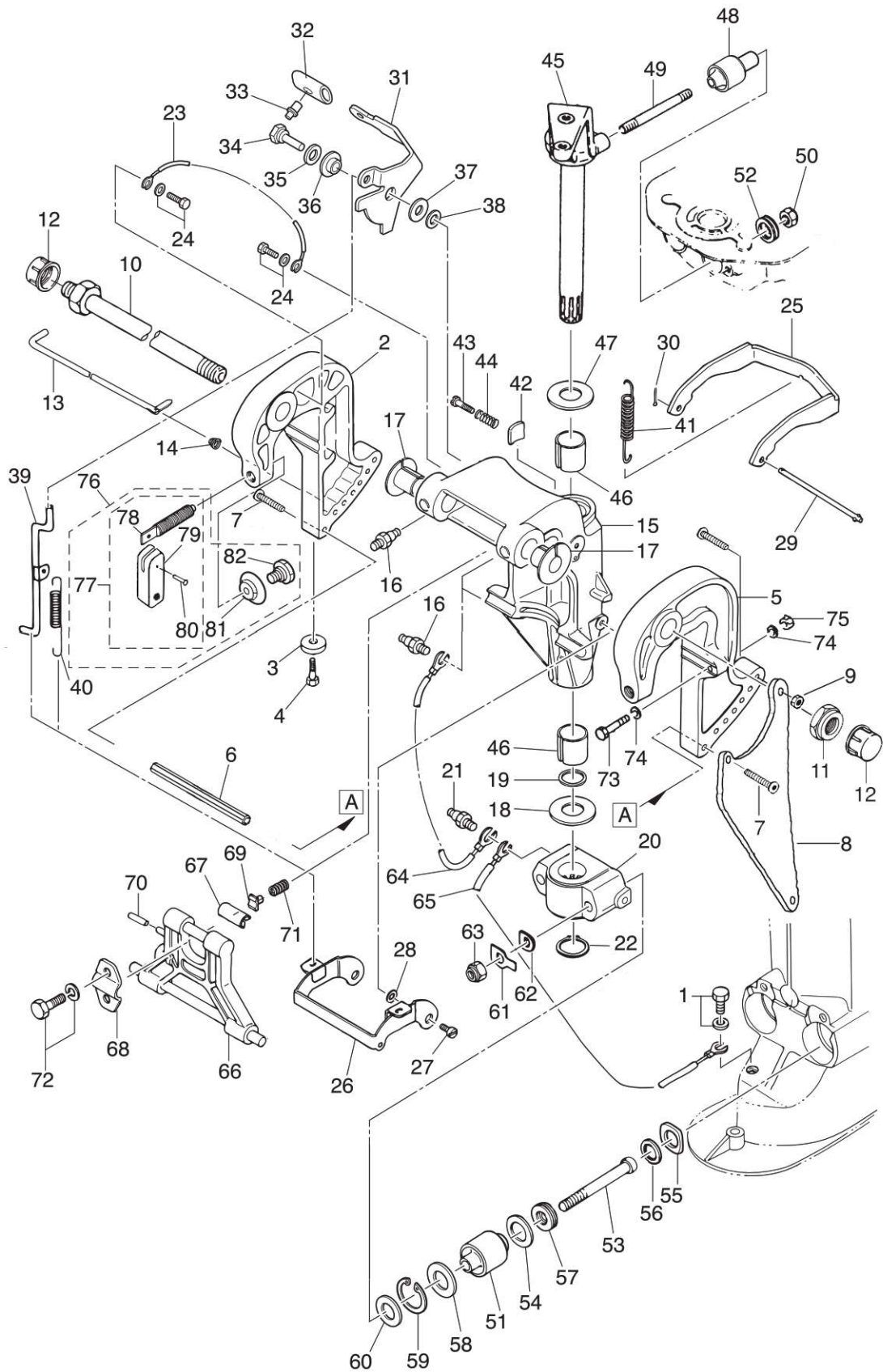
Stern Bracket

| Ref. No. | Part No. | Description | Qty | Remarks |
|----------|-------------|--------------------------------|-----|--------------|
| 13-1 | 9101E3-5610 | BOLT | 1 | |
| 13-2 | 3AEQ621123 | CLAMP BRACKET (R) | 1 | STBD |
| 13-3 | 338-60218-2 | ANODE | 1 | |
| 13-4 | 9101E35620M | BOLT | 1 | |
| 13-5 | 3AEQ621133 | CLAMP BRACKET (L) | 1 | PORT |
| 13-6 | R-HS040 | HEX STAND OFF | 1 | |
| 13-7 | R-92210A548 | HEX HEAD SCREW | 4 | PORT /STBD |
| 13-8 | R-TSP40 | TRANSOM GUIDE PLATE | 2 | PORT/STBD |
| 13-9 | R-91831A029 | NYLOC NUT | 2 | PORT/STBD |
| 13-10 | 3AC-62191-0 | SWIVEL BRACKET SHAFT ASSY | 1 | Bracket Bolt |
| 13-11 | 346-62124-1 | NYLON NUT 7/8-14 | 1 | |
| 13-12 | 346-62127-0 | CAP NUT | 2 | |
| 13-13 | 345-62121-1 | THRUST ROD | 1 | |
| 13-14 | 345-62122-2 | THRUST ROD SPRING | 1 | |
| 13-15 | 349Q623104 | SWIVEL BRACKET | 1 | |
| 13-16 | 344-67177-1 | GREASE FITTING | 3 | |
| 13-17 | 349-62126-0 | BUSHING | 2 | |
| 13-18 | 346-62424-1 | THRUST PLATE (LOWER) 26.5-46-1 | 1 | |
| 13-19 | 3H8-62415-0 | O-RING 3.5-25.7 | 1 | |
| 13-20 | 348Q61411-2 | MOUNT BRACKET | 1 | |
| 13-21 | 344-67177-1 | GREASE FITTING | 2 | |
| 13-22 | 945103-2500 | C-RING d=25 | 1 | |
| 13-23 | 398-62396-1 | GROUND L=130 | 1 | |
| 13-24 | 9101E3-5612 | BOLT | 2 | |
| 13-25 | 346-66322-0 | REVERSE LOCK | 1 | |
| 13-26 | 349-66313-0 | REVERSE LOCK ARM | 1 | |
| 13-27 | 336-66319-1 | PIVOT BOLT | 2 | |
| 13-28 | 3R0-66308-0 | WASHER 6-16-1.5 | 2 | |
| 13-29 | 346-66321-0 | REVERSE LOCK ROD | 1 | |
| 13-30 | 951503-0212 | SPLIT PIN 2-12 | 1 | |
| 13-31 | 3P0-66311-0 | REVERSE LOCK LEVER | 1 | |
| 13-32 | 3AL-66333-0 | REVERSE LOCK LEVER GRIP | 1 | |
| 13-33 | 346-66334-0 | STOPPER | 1 | |
| 13-34 | 3AL-05254-0 | SHOULDER BOLT 6-8 | 1 | |
| 13-35 | 940103-0800 | WASHER | 1 | |
| 13-36 | 3AL-05212-0 | BUSHING 8.1-20 | 1 | |
| 13-37 | 3AA-83719-0 | WASHER 8.5-18-1.6 | 1 | |
| 13-38 | 3R0-66308-0 | WASHER 6-16-1.5 | 1 | |
| 13-39 | 349-66312-0 | REVERSE LOCK LINK | 1 | |
| 13-40 | 346-66323-1 | REVERSE LOCK LEVER SPRING | 1 | |
| 13-41 | 3R0-66332-0 | REVERSE LOCK SPRING | 1 | |
| 13-42 | 345-62441-0 | FRICTION PIECE | 1 | |
| 13-43 | 9101E3-0830 | BOLT | 1 | |
| 13-44 | 346-62421-1 | FRICTION SPRING | 1 | |
| 13-45 | 348Q62010-1 | STEERING SHAFT ASSY | 1 | |
| 13-46 | 345-62417-0 | BUSHING 26-32 | 2 | |

*Assembly

** Modified

Stern Bracket



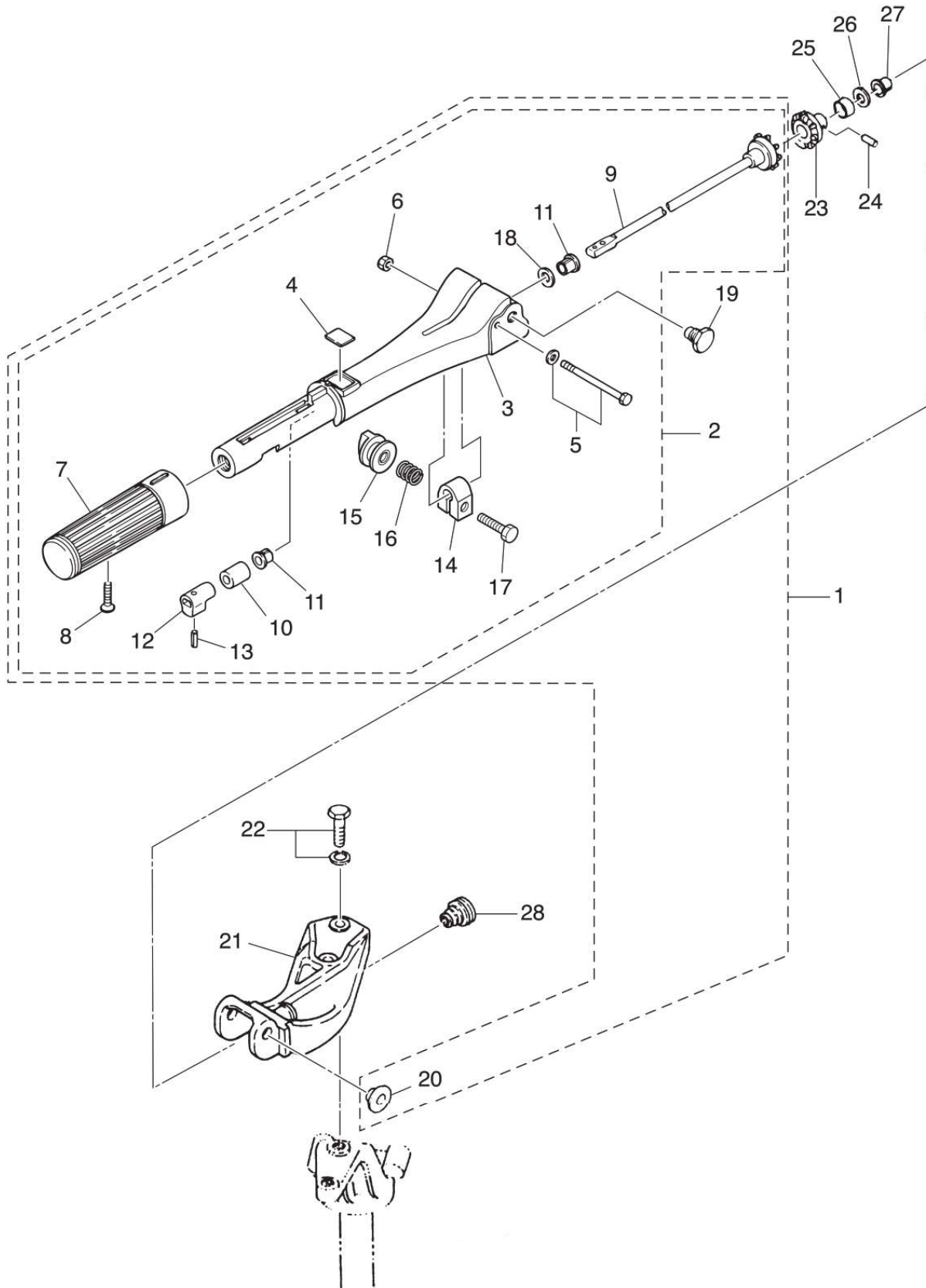
Stern Bracket

| Ref. No. | Part No. | Description | Qty | Remarks |
|----------|-------------|------------------------------|-----|-----------------------------------|
| 13-47 | 3A0-62423-2 | THRUST PLATE (UPPER) 27-50-1 | 1 | |
| 13-48 | 345-61301-1 | RUBBER MOUNT (UPPER) | 2 | |
| 13-49 | 345-61313-0 | STUD | 2 | |
| 13-50 | 930403-1000 | NYLON NUT 10-P1.5 | 2 | |
| 13-51 | 345-61302-1 | RUBBER MOUNT (LOWER) | 2 | |
| 13-52 | 345-61333-0 | DAMPER (UPPER) | 2 | Upper |
| 13-53 | 345-61321-2 | BOLT | 2 | |
| 13-54 | 345-61334-0 | WASHER 21-40.3-4 | 2 | |
| 13-55 | 345-61331-0 | DAMPER CAP | 2 | |
| 13-56 | 345-61332-0 | COLLAR 20-31.7-3 | 2 | |
| 13-57 | 345-61333-0 | DAMPER (UPPER) | 2 | Lower |
| 13-58 | 348-61309-0 | SHIM 33-40.7-0.5 | A | |
| 13-59 | 945003-4000 | C-RING d=40 | 2 | |
| 13-60 | 9401E3-1000 | WASHER | 2 | |
| 13-61 | 346-61323-0 | LOCK PLATE | 2 | |
| 13-62 | 345-61322-2 | WASHER | 2 | |
| 13-63 | 930103-1000 | NUT 10-P1.5 | 2 | |
| 13-64 | 3A3-62396-1 | GROUND L=110 | 1 | Swivel Bracket-Mount Bracket |
| 13-65 | 3A3-62396-1 | GROUND L=110 | 1 | Mount Bracket-Drive Shaft Housing |
| 13-66 | 349Q629933 | TILT STOPPER | 1 | |
| 13-67 | 346-62437-0 | BUSHING 10.2-12-29.5 | 1 | |
| 13-68 | 346-62439-1 | SETTING PLATE | 1 | |
| 13-69 | 346-62438-0 | SETTING PIECE | 1 | |
| 13-70 | 951403-0640 | SPRING PIN | 1 | |
| 13-71 | 3C8-62421-1 | FRICTION SPRING | 1 | |
| 13-72 | 9101035820M | BOLT | 2 | |
| 13-73 | 9161E30885M | BOLT | 2 | |
| 13-74 | 940103-0800 | WASHER | 4 | |
| 13-75 | 930103-0800 | NUT | 2 | |
| 13-76 | R-CSK4050 | CLAMP SCREW KIT | 1 | |
| 13-77 | R-CSA4050 | CLAMP SCREW ASSY | 1 | |
| 13-78 | 3AA-62106-0 | *CLAMP SCREW | 2 | |
| 13-79 | R-TCK4050 | *CLAMP SCREW HANDLE | 2 | |
| 13-80 | R-97345A489 | *SHOULDER BOLT | 2 | |
| 13-81 | 332-62101-1 | CLAMP SCREW PAD | 2 | |
| 13-82 | 945303-0600 | E-RING/CLAMP | 2 | |

*Assembly

** Modified

Tiller Handle (Fig. 14)



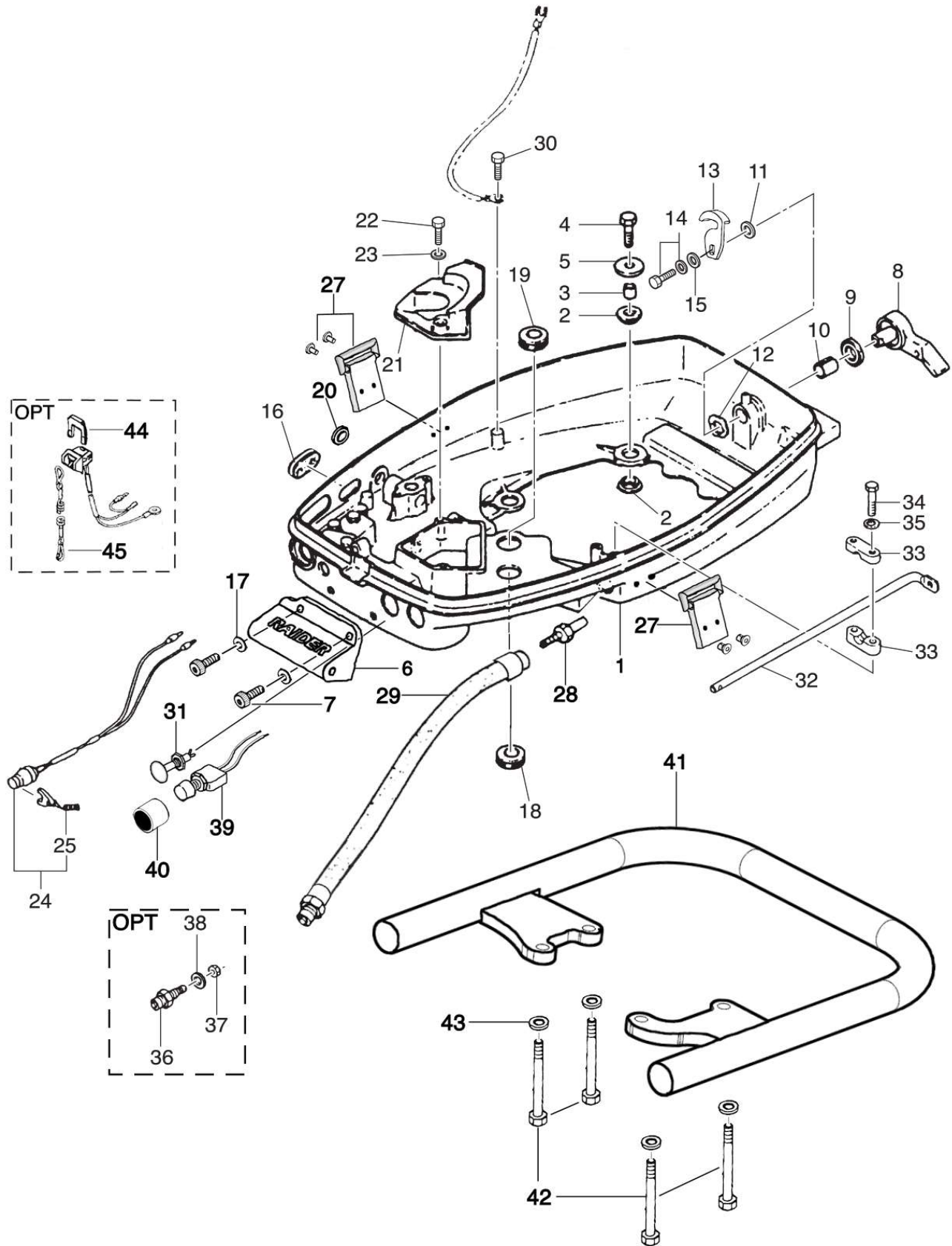
Tiller Handle

| Ref. No. | Part No. | Description | Qty | Remarks |
|----------|-------------|--------------------------|-----|---------|
| 14-1 | 398Q63003-1 | TILLER HANDLE ASSY | 1 | |
| 14-2 | 3NTQ630050 | * TILLER HANDLE SUB-ASSY | 1 | |
| 14-3 | 3NTQ630110 | ** TILLER HANDLE | 1 | |
| 14-4 | 369-72019-1 | ** THROTTLE DECAL | 1 | |
| 14-5 | 9101E3-5675 | ** BOLT | 1 | |
| 14-6 | 930403-0600 | ** NYLON NUT 6-P1.0 | 1 | |
| 14-7 | 398-63012-0 | ** GRIP | 1 | |
| 14-8 | 921803-0525 | ** SCREW | 1 | |
| 14-9 | 398-63041-0 | ** THROTTLE SHAFT | 1 | |
| 14-10 | 345-63048-0 | ** THROTTLE SHAFT DAMPER | 1 | |
| 14-11 | 350-63046-0 | ** BUSHING 8.4-10-11 | 2 | |
| 14-12 | 398-63053-0 | ** SPACER | 1 | |
| 14-13 | 951403-0310 | ** SPRING PIN 3-10 | 1 | |
| 14-14 | 3V1-63035-1 | ** FRICTION PIECE | 1 | |
| 14-15 | 3V1-63077-0 | ** ADJUSTING NUT | 1 | |
| 14-16 | 3V1-63036-0 | ** SPRING | 1 | |
| 14-17 | 9101030625M | ** BOLT | 1 | |
| 14-18 | 941403-1000 | ** WAVE WASHER d=10 | 1 | |
| 14-19 | 346632013M | * BOLT | 2 | |
| 14-20 | 345-63207-0 | * COLLAR 9.8-12.7-7.5 | 2 | |
| 14-21 | 345Q63051-0 | STEERING BRACKET | 1 | |
| 14-22 | 9101035825M | BOLT | 2 | |
| 14-23 | 346-63064-0 | UNIVERSAL PINION | 1 | |
| 14-24 | 951403-0414 | SPRING PIN 4-14 | 1 | |
| 14-25 | 346-63066-1 | COLLAR 15.9-17-9 | 1 | |
| 14-26 | 940103-0800 | WASHER | 1 | |
| 14-27 | 350-63046-0 | BUSHING 8.4-10-11 | 1 | |
| 14-28 | 345-66226-0 | GROMMET 17-3 | 1 | |

*Assembly

** Modified

Bottom Cowl (Fig. 15)



Bottom Cowl

| Ref. No. | Part No. | Description | Qty | Remarks |
|----------|---------------|---------------------------------|-----|-------------------|
| 15-1 | R-345Q67100-2 | BOTTOM COWL** | 1 | |
| 15-2 | 345-67113-0 | MOUNT 12-18-2.5 | 8 | |
| 15-3 | 3C7671141M | SPACER 8.4-12-17 | 4 | |
| 15-4 | R-91287A155 | BOLT | 4 | 9101E3-6835 |
| 15-5 | 345-67115-0 | WASHER 6.5-21-1 | 4 | |
| 15-6 | R-FSM40 | FRONT GRAB HANDLE (FGH) | 1 | Front shift mount |
| 15-7 | R-91292A148 | SOCKET CAP SCREW/FGH | 2 | |
| 15-8 | 338Q67141-0 | HOOK LEVER | 1 | |
| 15-9 | 338-67147-0 | SEAL RING 13.8-22-3.7 | 1 | |
| 15-10 | 350-67105-0 | HOOK LEVER BUSHING 14-16.5-17.7 | 1 | |
| 15-11 | 3C8-67146-0 | WASHER 14-22-1 | 1 | |
| 15-12 | 941403-1400 | WAVE WASHER d=14 | 1 | |
| 15-13 | R-RCL40 | COWLING LOCK | 1 | |
| 15-14 | 910103-6612 | BOLT | 1 | |
| 15-15 | 3C8-66308-0 | WASHER 6-16-1.5 | 1 | |
| 15-16 | 353-67162-0 | GROMMET | 1 | |
| 15-17 | R-98437A112 | WASHER/FGH | 2 | |
| 15-18 | 369-61016-0 | GROMMET 29-3 | 1 | |
| 15-19 | 345-67161-0 | GROMMET 22-3 | 1 | |
| 15-20 | 345-67117-0 | GROMMET 17-2.7 | 1 | |
| 15-21 | 345-67183-0 | AIR INTAKE BAFFLE | 1 | |
| 15-22 | 9101140625M | BOLT | 2 | |
| 15-23 | 940103-0600 | WASHER | 4 | |
| 15-24 | 398-06830-0 | STOP SWITCH ASSY | 1 | |
| 15-25 | 353-06821-0 | * STOP SWITCH LANYARD ASSY | 1 | |
| 15-26 | 336-06973-0 | CLAMP 6-9.5L | 1 | |
| 15-27 | R-Z-RA099-01 | *COWLING STRAP ASSY | 2 | |
| 15-28 | R-DOA50 | FUEL DONGLE, ADAPTER | 1 | W/BRASS NUT |
| 15-29 | R-L8599-3 | FUEL DONGLE | 1 | |
| 15-30 | 910103-0612 | BOLT | 1 | |
| 15-31 | R-11305 | PRIMER | 1 | |
| 15-32 | 348-63061-0 | THROTTLE SHAFT | 1 | |
| 15-33 | 345-63063-0 | THROTTLE SHAFT SUPPORT | 2 | |
| 15-34 | 9101E30630M | BOLT | 2 | |
| 15-35 | 940103-0600 | WASHER | 2 | |
| 15-36 | 3B2-70260-1 | FUEL CONNECTOR (MALE) | 1 | OPT No Dongle |
| 15-37 | 332-70261-0 | NUT 10-P1.25 | 1 | OPT No Dongle |
| 15-38 | 336-70112-0 | GASKET 10.2-16-0.5 | 1 | OPT No Dongle |
| 15-39 | R-17951252 | START SWITCH | 1 | |
| 15-40 | R-ESBC4050 | COVER/START SWITCH | 1 | |
| 15-41 | R-AH10217-40 | REAR CARRY/GRAB RAIL | 1 | |
| 15-42 | R-91287A165 | POWER HEAD BOLT | 4 | |
| 15-43 | 3P0-66233-0 | WASHER 8.1-1.6-1.5 | 4 | |
| 15-44 | R-8M0032846 | *RETAINER BRASS | 1 | OPT APEX GLOBAL |
| 15-45 | R-8M0092850 | *LANYARD CORD ASSEMBLY | 1 | OPT APEX GLOBAL |

*Assembly

** Modified

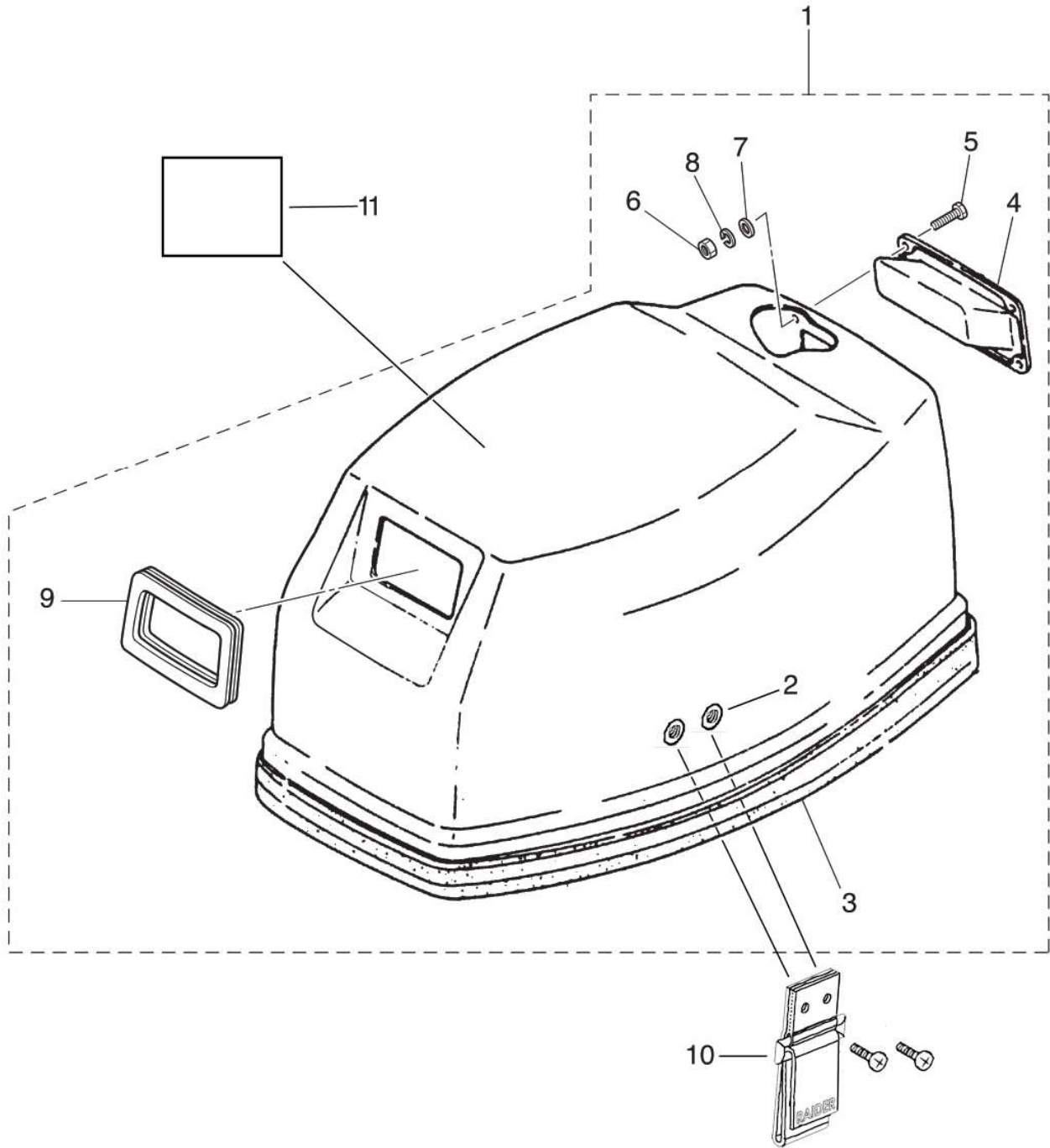
Shifter

| Ref. No. | Part No. | Description | Qty | Remarks |
|----------|---------------|----------------------------|-----|----------------------|
| 16-1 | R-345Q66110-3 | **SHIFT LEVER | 1 | |
| 16-2 | 345-66137-0 | OIL SEAL 10-20-4 | 1 | |
| 16-3 | 345-67101-0 | BUSHING 10-12.8-42.5 | 1 | |
| 16-4 | 945303-0800 | E-RING d=8 | 1 | |
| 16-5 | 332-61315-0 | WASHER 10.5-18-1.5 | 1 | |
| 16-6 | 345-66225-0 | SHIFT ROD LEVER | 1 | |
| 16-7 | 930403-1000 | NYLON NUT 10-P1.5 | 1 | |
| 16-8 | 345-66121-0 | SHIFT LEVER STOPPER | 1 | |
| 16-9 | 910903-6512 | BOLT | 2 | |
| 16-10 | 345-66115-0 | SHIFT LEVER STOP HOLDER | 1 | |
| 16-11 | 345-66119-0 | SHIM t=0.2 | A | |
| 16-12 | 965002-1605 | STEEL BALL 5/16 | 1 | |
| 16-13 | 332-66112-0 | SPRING | 1 | |
| 16-14 | 9101F4-0618 | BOLT | 2 | |
| 16-15 | 940113-0600 | WASHER | 2 | |
| 16-16 | 348-66211-0 | SHIFT ROD | 1 | |
| 16-17 | 332-66021-0 | O-RING 2.4-5.8 | 1 | |
| 16-18 | R-94355A533 | LONG FLAT TOP SET SCREW | 1 | |
| 16-19 | R-SLB40 | SHIFTER LOCKING BRACKET | 1 | |
| 16-20 | R-92949A832 | LONG BUTTON HEAD HEX SCREW | 1 | 1/4-20, 1/4 Thread |
| 16-21 | R-97345A707 | SHOULDER BOLT 1/2" | 1 | 3/8" dia., 16 Thread |
| 16-22 | R-SRH40 | SHIFT ROD, HANDLE | 1 | |
| 16-23 | R-FSH50 | SHIFT HANDLE | 1 | |
| 16-24 | R-90372A321 | 18-8 SS SOCKET NUT | 1 | 10-24 Thread |

*Assembly

** Modified

Top Cowl (Fig. 17)



Top Cowl

| Ref. No. | Part No. | Description | Qty | Remarks |
|----------|----------------|------------------------|-----|---------|
| 17-1 | R-TCA40 | TOP COWL ASSY** | 1 | |
| 17-2 | R-SRNS-UNC | * SS 1/4 20 NUTSERT | 4 | |
| 17-3 | 361-67501-0 | * TOP COWL SEAL L=1550 | 1 | |
| 17-4 | 345Q67521-0 | * TILT HANDLE | 1 | |
| 17-5 | 921603-0516 | * SCREW | 4 | |
| 17-6 | 930103-0500 | * NUT | 4 | |
| 17-7 | 940103-0500 | * WASHER | 4 | |
| 17-8 | 941303-0500 | * SPRING WASHER | 4 | |
| 17-9 | 3KM675030M | * STARTER SEAL | 1 | |
| 17-10 | R-Z-RA099-01 | COWLING STRAP | 2 | |
| 17-11 | R-RFS000002152 | DEWATERING DECAL | 1 | |

*Assembly

** Modified

Assembly • Kit Parts (Fig 18)

Lower Unit ASSY-1

Water Pump Repair Kit-2

Carburetor Repair Kit-3

Tiller Handle Kit-4

Fuel Line W/Primer-5

Emergency Field Kit-6

Field Service Maintenance Kit (RMK)-7

Deployment Cycle Loadout/Sustainment Package (3-5 Motors)-8

| Ref. No. | Part No. | Description | Qty | Remarks |
|----------|-------------|-------------------------------|-----|---------------|
| 18-1 | 361Q87302-1 | LOWER UNIT ASSY (L) | 1 | |
| 18-2 | 361-87322-0 | WATER PUMP REPAIR KIT | 1 | |
| 18-2-1 | 9101E3-5652 | * BOLT | 4 | W/Washer |
| 18-2-2 | 348-65011-0 | * PUMP CASE LINER | 1 | |
| 18-2-3 | 332-65022-0 | * KEY | 1 | Pump Impeller |
| 18-2-4 | 345-65021-0 | * WATER PUMP IMPELLER | 1 | |
| 18-2-5 | 348-65025-0 | * WATER PUMP GUIDE PLATE | 1 | |
| 18-2-6 | 348-65029-1 | * GUIDE PLATE GASKET | 1 | |
| 18-2-7 | 348-65018-0 | * PUMP CASE GASKET | 1 | |
| 18-3 | 345-87122-4 | CARBURETOR REPAIR KIT | 1 | |
| 18-3-1 | 345-02011-3 | * CARBURETOR GASKET | 1 | |
| 18-3-2 | 336-03293-0 | * O-RING | 1 | Not Used |
| 18-3-3 | 336-03222-0 | * FLOAT CHAMBER O-RING 1.9-64 | 1 | |
| 18-3-4 | 922503-6412 | * SCREW | 4 | Float Chamber |
| 18-3-5 | 334-03231-1 | * FLOAT | 1 | |
| 18-3-6 | 334-03232-0 | * FLOAT ARM PIN | 1 | |
| 18-3-7 | 3B7-03240-0 | * FLOAT VALVE | 1 | |
| 18-3-8 | 345-03243-0 | * O-RING 1.3-5.7 | 1 | |
| 18-3-9 | 344-03244-0 | * CLIP | 1 | |
| 18-3-10 | 334-03242-0 | * VALVE PIN | 1 | |
| 18-3-11 | 346-03265-0 | * STOP SCREW | 1 | |
| 18-3-12 | 345-03266-0 | * PILOT SCREW | 1 | |
| 18-4 | 361Q63000-5 | TILLER HANDLE KIT | 1 | |
| 18-4-1 | 398Q63003-1 | * TILLER HANDLE ASSY | 1 | |
| 18-4-2 | 350-63046-0 | * BUSHING 8.4-10-11 | 1 | |
| 18-4-3 | 346-63064-0 | * UNIVERSAL PINION | 1 | |
| 18-4-4 | 348-63061-0 | * THROTTLE SHAFT | 1 | |
| 18-4-5 | 345-63063-0 | * THROTTLE SHAFT SUPPORT | 2 | |
| 18-4-6 | 9101F4-0630 | * BOLT | 2 | |
| 18-4-7 | 940103-0600 | * WASHER | 2 | |
| 18-4-8 | 345-66226-0 | * GROMMET 17-3 | 1 | |
| 18-4-9 | 361-83728-0 | * PIN | 1 | |
| 18-4-10 | 930103-0600 | * NUT | 1 | |
| 18-4-11 | 3AA-83719-0 | * WASHER 8.5-18-1.6 | 1 | |
| 18-4-12 | 951603-0800 | * SNAP PIN d=8 | 1 | |
| 18-4-13 | 940103-0800 | * WASHER | 1 | |
| 18-4-14 | 3B7-63733-0 | * ROD SNAP 5-2.5 | 1 | |
| 18-4-15 | 348-63715-1 | * ROD 5-75L | 1 | |
| 18-4-16 | 346-63066-1 | * COLLAR 15.9-17-9 | 1 | |
| 18-4-17 | 951403-0414 | * SPRING PIN 4-14 | 1 | |
| 18-4-18 | 345-67161-0 | * GROMMET 22-3 | 1 | |
| 18-4-19 | 345Q63051-0 | * STEERING BRACKET | 1 | |
| 18-4-20 | 9101E3-5825 | * BOLT | 2 | |

| | | | | |
|---------|------------------|--------------------------------------|----------|----------|
| 18-4-21 | 345-83732-0 | * GROMMET | 1 | |
| 18-4-22 | 345-67117-0 | * GROMMET 17-2.7 | 1 | |
| | | | | |
| 18-5 | R-10CFLWP | FUEL LINE WITH PRIMER | 1 | |
| | | | | |
| 18-6 | R-EFK40 | EMERGENCY FIELD KIT | 1 | |
| 18-6-1 | R-4919 | SPARK PLUG | 2 | |
| 18-6-2 | R-841150 | M10 DEEP SOCKET 3/8 DR | 1 | |
| 18-6-3 | R-841156 | M16 DEEP SOCKET 3/8 DR | 1 | |
| 18-6-4 | R-841153 | M13 DEEP SOCKET 3/8 DR | 1 | |
| 18-6-5 | R-2292340 | STANLEY 6 WAY SCREWDRIVER | 1 | |
| 18-6-6 | R-67149 | CRESCENT WRENCH | 1 | |
| 18-6-7 | R-63818 | PLIERS | 1 | |
| 18-6-8 | R-52735A45 | 3/8 HEX DRILL SOCKET | 1 | |
| 18-6-9 | R-5009238 | PELICAN CASE 1150 | 1 | |
| 18-6-10 | R-203561746 | #5.5 STARTER CORD | 7 FT | |
| 18-6-11 | R-25002 | 2 OZ. MARINE GREASE | 1 | |
| | | | | |
| 18-7 | RMK-4050 | FIELD SERVICE MAINTENANCE KIT | 1 | |
| 18-7-1 | LTA2428 | 3/4-7/8 COMBO SLIM WRENCH | 1 | |
| 18-7-2 | OXI8B | 1/4 MIDGET COMBO WRENCH | 1 | |
| 18-7-3 | AWBMC1602 | 2MM T HANDLE | 1 | |
| 18-7-4 | 009-44605 | 12 INCH ADJUSTABLE WRENCH | 1 | |
| 18-7-5 | OX19B | 9/32 MIDGET COMBO WRENCH | 1 | |
| 18-7-6 | SOEXM8 | 8 MM COMBO WRENCH | 1 | |
| 18-7-7 | SOEX18 | 9/16 COMBO WRENCH | 1 | |
| 18-7-8 | AWBCG1608 | 1/8 INCH T HANDLE | 1 | |
| 18-7-9 | AWBCG1610 | 5/32 INCH T HANDLE | 1 | |
| 18-7-10 | AWBCG1612 | 3/16 INCH T HANDLE | 1 | |
| 18-7-11 | SOEXM10 | 10MM COMBO WRENCH | 1 | |
| 18-7-12 | OEX090B | 9/32 COMBO WRENCH | 1 | |
| 18-7-13 | SOEXM13 | 13 MM COMBO WRENCH | 1 | |
| 18-7-14 | AWBCG1616 | 1/4 INCH T HANDLE | 1 | |
| 18-7-15 | AWBCG1606 | 3/32 INCH T HANDLE | 1 | |
| 18-7-16 | SOEXM17 | 17 MM COMBO WRENCH | 1 | |
| 18-7-17 | SOEXM14 | 14 MM COMBO WRENCH | 1 | |
| 18-7-18 | A2A | 3/8 DRIVE 1/2" ADAPTER | 1 | |
| 18-7-19 | FS301 | 3/8 DRIVE 15/16 SHALLOW SOCKET | 1 | |
| 18-7-20 | TWM27 | 1/2 DRIVE 27MM SHALLOW SOCKET | 1 | |
| 18-7-21 | TMXK4 | 1/4 DRIVE 4 INCH EXTENTION | 1 | |
| 18-7-22 | FSM211 | 3/8 DRIVE 21 MM SHALLOW SOCKET | 1 | |
| 18-7-23 | TMM8 | 1/4 DRIVE 8MM SHALLOW SOCKET | 1 | |
| 18-7-24 | TMM13 | 1/4 DRIVE 13MM SHALLOW SOCKET | 1 | |
| 18-7-25 | TMM10 | 1/4 DRIVE 10 MM SHALLOW SOCKET | 1 | |
| 18-7-26 | S9706KA | 3/8 DRIVE 5/8 SPARK PLUG SOCKET | 1 | |
| 18-7-27 | FSM81 | 3/8 DRIVE 8MM SHALLOW SOCKET | 1 | |
| 18-7-28 | FSM101 | 3/8 DRIVE 10 MM SHALLOW SOCKET | 1 | |
| 18-7-29 | FSM131 | 3/8 DRIVE 13 MM SHALLOW SOCKET | 1 | |
| 18-7-30 | BLPLM3813 | 3/8 DRIVE 13MM DEEPWELL SOCKET | 1 | MODIFIED |
| 18-7-31 | FSM221 | 3/8 DRIVE 22MM SHALLOW SOCKET | 1 | |

| | | | | |
|---------|-----------------------|--|---|---|
| 18-7-32 | FXK3 | 3/8 DRIVE 3 INCH BALL EXTENETION | 1 | |
| 18-7-33 | SPBS18AR | 18 INCH PRY BAR RED | 1 | |
| 18-7-34 | YA105 | SEAL PULLER | 1 | |
| 18-7-35 | FHBB18A | 3/8 DRIVE EXTRA LONG 17.5 BREAKER BAR | 1 | |
| 18-7-36 | PPR708BK | ROLL PIN PUNCH KIT | 1 | OTIKER CLAMP |
| 18-7-37 | ASTCP2015 | FUEL HOSE CLAMP CRIMPERS | 1 | |
| 18-7-38 | 97ACF | 8-INCH-LONG NOSE PLIERS | 1 | |
| 18-7-39 | KNX7401250 | KNIPEX 10 INCH STRAIGHT SIDE CUTTERS | 1 | |
| 18-7-40 | T72 | 1/4 DRIVE 72 TOOTH RATCHET | 1 | |
| 18-7-41 | F80 | 3/8 DRIVE 80 TOOTH RATCHET | 1 | |
| 18-7-42 | SSDMR4BR | 8-3/4 RATCHETING MAGNETIC SCREWDRIVER | 1 | |
| 18-7-43 | PWCSS7ACF | 7 INCH WIRE STRIPPERS/CRIMPERS/CUTTERS | 1 | |
| 18-7-44 | 25136 | PRESSURE/VACCUUM TESTER | 1 | |
| 18-7-45 | HBFE32 | 32 OZ SOFT DEADBLOW | 1 | |
| 18-7-46 | IM2875-00000 | PELICAN CASE | 1 | |
| 18-7-47 | 20250 | COMPRESSION GAUGE KIT | 1 | |
| 18-7-48 | MM400 | KLIEN DIGITAL MULTI-METER | 1 | |
| 18-7-49 | 8M0072133 | QUIKSILVER HAND GEAR LUBE PUMP | 1 | |
| 18-7-50 | 552855515 | MOTOR FLUSHER | 1 | |
| 18-7-51 | ESP328 | HAND HELD TACHOMETER | 1 | |
| 18-7-52 | 27187 | FLYWHEEL PULLER | 1 | |
| 18-7-53 | | 8MM-1/4 ID HOSE FITTING ADAPTER | 1 | |
| 18-7-54 | RFH4050 | RAIDER FLYWHEEL HOLDER | 1 | |
| 18-7-55 | AC664 | AUTOCRAFT SPARK TESTER | 1 | |
| 18-7-56 | FX1 | 3/8 DRIVE 1 1/2 FRICTION BALL EXTENSION | 1 | |
| | | | | |
| 18-8-1 | R-40SRPK | DEPLOYMENT CYCLE LOADOUT | | SUSTAINMENT FOR 3-5 MOTORS |
| 18-8-2 | 345-01005-1 | CYLINDER HEAD GASKET | 3 | |
| 18-8-3 | R-SBE110 | SPARK PLUG | 6 | |
| 18-8-4 | 345-01030-0 | THERMOSTAT | 3 | |
| 18-8-5 | R-RTG40 | THERMOSTAT CAP GASKET | 3 | |
| 18-8-6 | 345-02305-1 | EXHAUST COVER GASKET | 3 | |
| 18-8-7 | 345-05223-1 | ROD SNAP 3.5-2 | 6 | |
| 18-8-9 | 345-05224-0 | ROD SNAP 5-2.5 | 6 | |
| 18-8-10 | 345-02104-0 | INTAKE MANIFOLD GASKET "A" | 3 | |
| 18-8-11 | 345-02105-0 | INTAKE MANIFOLD GASKET "B" | 3 | |
| 18-8-12 | 345-02100-1 | REED VALVE ASSY | 4 | |
| 18-8-13 | 45-02103-0 | REED VALVE SEAT GASKET | 6 | |
| 18-8-14 | R-HFPG40 | HEAVY FUEL PLATE GASKET | 3 | |
| 18-8-15 | 345-02011-3 | CARBURETOR GASKET | 3 | |
| 18-8-16 | R-54605K32-TF2C/8 | HOSE, FUEL LINE | 3 | 1/4-8" T-Fitting to Carburetor |
| 18-8-17 | R-54605K32-TF2HFE/6.5 | HOSE, FUEL LINE | 3 | 1/4 6.5" T-Fitting to HF Elbow |
| 18-8-18 | R-54605K32-LC2FF/17 | HOSE, FUEL LINE | 3 | 1/4 17" Lower Cowling to Fuel Filter |
| 18-8-19 | R-54605K32-TF2FPO/5 | HOSE, FUEL LINE | 3 | 1/4 5" T-Fitting to Fuel Pump Out |
| 18-8-20 | R-54605K32-FFO2FPI/15 | HOSE, FUEL LINE | 3 | 1/4 15" Fuel Filter Out to Fuel Pump In |
| 18-8-21 | R-CEL-65432-TF2FC/8 | HOSE, FUEL LINE | 3 | 1/8 T-Fitting to Float Chamber 8" |

| | | | | |
|---------|-----------------------|----------------------------------|----|--------------------------------------|
| 18-8-22 | R-CEL-65432-TF2DV/4 | HOSE, FUEL LINE | 3 | 1/8 T-Fitting to Dewatering Valve 4" |
| 18-8-23 | R-CEL-65432-HFB2HFP/6 | HOSE, FUEL LINE | 3 | 1/8 HF Block to HF Plate 6" |
| 18-8-23 | R-CEL-65432-HFB2P/14 | HOSE, FUEL LINE | 3 | 1/8 HF Block to Primer |
| 18-8-24 | R-CEL-65432-TF2P/4 | HOSE, FUEL LINE | 3 | 1/8 TF to Primer 4" |
| 18-8-25 | R-5435K13 | OETIKER CLAMP 13.3 | 30 | |
| 18-8-26 | R-112-51905 | 1/8 FUEL LINE RETENTION BAND | 1 | QTY 100 |
| 18-8-27 | 345-87122-4 | CARBURETOR REPAIR KIT | 3 | |
| 18-8-28 | 361-05000-1 | RECOIL STARTER ASSY | 2 | |
| 18-8-29 | 361-06091-0 | FLYWHEEL W/GEAR | 1 | |
| 18-8-30 | 3A0-06002-0 | COIL PLATE ASSY W/ALTERNATOR | 3 | |
| 18-8-31 | 334-00131-0 | KEY | 3 | |
| 18-8-32 | 931121-1600 | NUT | 3 | |
| 18-8-33 | 345-00133-0 | WASHER 16-28-3.2 | 3 | |
| 18-8-34 | R-3C1-06048-0 | **IGNITION COIL ASSY | 3 | |
| 18-8-35 | 361-06060-1 | CD UNIT | 1 | |
| 18-8-36 | 398-06830-0 | *STOP SWITCH LANYARD ASSY | 3 | |
| 18-8-37 | R-RL-HM026 | TACHOMETER | 3 | |
| 18-8-38 | R-193-5114 | RECTIFIER | 3 | |
| 18-8-39 | 346-76040-0 | STARTER SOLENOID | 3 | |
| 18-8-40 | R-LH40 | LOAD HARNESS | 2 | |
| 18-8-41 | R-82115 | FUSE 20A | 10 | |
| 18-8-42 | 346-76010-0 | STARTER MOTOR ASSY** | 3 | |
| 18-8-43 | R-1795152 | START SWITCH | 3 | |
| 18-8-44 | | | | |
| 18-8-45 | R-PRBH40 | BATTERY TRAY | 3 | |
| 18-8-46 | R-3955T282 | STRAP/BATTERY TRAY | 5 | |
| 18-8-47 | R-RRDV-1 | DEWATERING VALVE (DV) | 3 | |
| 18-8-48 | R-3642 | DECOMPRESSION VALVE | 4 | |
| 18-8-49 | R-3074 | WATER JACKET GASKET | 3 | |
| 18-8-50 | 361Q60000-0 | GEAR CASE ASSY | 1 | |
| 18-8-51 | 332-60005-2 | OIL FILL/DRAIN PLUG 8-8 | 4 | |
| 18-8-52 | 332-60006-0 | OIL FILL/DRAIN GASKET 8.1-15-1 | 20 | |
| 18-8-53 | 361-87322-0 | WATER PUMP REPAIR KIT | 5 | |
| 18-8-54 | 348-65016-1 | PUMP CASE (UPPER) | 3 | |
| 18-8-55 | 348-65017-1 | PUMP CASE (LOWER) | 3 | |
| 18-8-56 | 345-65015-0 | O-RING 3.2-47 | 3 | |
| 18-8-57 | 3B7-65014-0 | WATER PIPE SEAL (LOWER) | 3 | |
| 18-8-58 | 951403-0312 | SPRING PIN 3-12 | 10 | |
| 18-8-59 | 345-60206-1 | WATER STRAINER | 4 | |
| 18-8-60 | 921503-0440 | WATER STRAINER, SCREW | 2 | |
| 18-8-61 | 930403-0400 | WATER STRAINER, NYLON NUT 4-P0.7 | 2 | |
| 18-8-62 | 348-60217-0 | TRIM TAB | 3 | |
| 18-8-63 | 345Q60100-0 | PROPELLER SHAFT HOUSING ASSY | 1 | |
| 18-8-64 | 345-60103-0 | O-RING 3.5-69.4 | 5 | |
| 18-8-65 | 361-87326-0 | PROPELLER HARDWARE KIT | 2 | |
| 18-8-66 | 951503-0325 | SPLIT PIN 3-25 | 10 | |
| 18-8-67 | 3T5B645230 | PROPELLER ASSY (11") | 3 | |
| 18-8-68 | 346-62127-0 | CAP NUT | 6 | |
| 18-8-69 | 345-62121-1 | THRUST ROD | 3 | |
| 18-8-70 | 345-62122-2 | THRUST ROD SPRING | 3 | |

| | | | | |
|----------------|----------------|----------------------------|---|---------|
| 18-8-71 | 3AL-66333-0 | REVERSE LOCK LEVER GRIP | 3 | |
| 18-8-72 | 346-66334-0 | STOPPER | 3 | |
| 18-8-73 | R-TCK4050 | CLAMP SCREW HANDLE | 4 | |
| 18-8-74 | 398Q63003-1 | TILLER HANDLE ASSY | 1 | |
| 18-8-75 | R-11305 | PRIMER | 3 | |
| 18-8-76 | R-L8599-3 | FUEL DONGLE | 3 | |
| 18-8-77 | R-Z-RA099-01 | COWLING STRAP ASSY | 6 | |
| 18-8-78 | R-SR40 | SHIFT ROD, HANDLE | 3 | Shifter |
| 18-8-79 | R-SLB40 | SHIFTER LOCKING BRACKET | 3 | Shifter |
| 18-8-80 | R-94355A553 | LONG FLAT TOP SET SCREW | 3 | Shifter |
| 18-8-81 | R-929949A832 | LONG BUTTON HEAD HEX SCREW | 3 | Shifter |
| 18-8-82 | 965002-1605 | STEEL BALL 5/16 | 3 | Shifter |
| 18-8-83 | 332-66112-0 | SPRING | 3 | Shifter |
| 18-8-84 | R-RFS000002152 | DEWATERING DECAL | 3 | |
| 18-8-85 | 344-67503-0 | STARTER SEAL | 3 | |
| 18-8-86 | R-10CFLWP | FUEL LINE WITH PRIMER | 3 | |
| 18-8-87 | 356-04000-1 | FUEL PUMP ASSY | 3 | |
| 18-8-88 | 346-02230-0 | FUEL FILTER ASSY | 3 | |

Consumable Materials (Fig 19)

| Ref. No. | Part No. | Description | Qty | Remarks |
|----------|-----------------|---------------------------------------|-----|----------------|
| 19-9-1 | R-KM80118 | ANTI-SEIZE LUBRICANT | 1 | |
| 19-9-2 | R-KM80753 | CARB/THROTTLE CLEANER | 1 | |
| 19-9-3 | R-CZ2596427 | CORROSION PREVENTATIVE | 1 | Corrosion Zero |
| 19-9-4 | R-KM80728 | DIELECTRIC GREASE | 1 | |
| 19-9-5 | 0079340518315 | FLANGE SEALANT | 1 | |
| 19-9-6 | 6-1210 OR 22001 | FOGGING OIL | 1 | |
| 19-9-7 | 22239-AD | FUEL STABILIZER | 1 | |
| 19-9-8 | 18-9680-2 | GEAR OIL, API GRADE GL-5, SAE 80W-90W | 1 | |
| 19-9-9 | R-KM801203 | INSTANT ADHESIVE | 1 | |
| 19-9-10 | 78254032016 | ISOPROPYL ALCOHOL CLEANING SOLVENT | 1 | |
| 19-9-11 | R-KM83526 | LIQUID ELECTRICAL TAPE | 1 | |
| 19-9-12 | R-25002 | MARINE GREASE NLGI#2 GC/LB | 1 | |
| 19-9-13 | R-KM80744 | MULTIPURPOSE LUBRICANT | 1 | |
| 19-9-14 | R-KM801047 | RTV SILICONE GASKET – MAKER & SEALANT | 1 | |
| 19-9-15 | B0000AXVG9 | SALT REMOVER/MOTOR FLUSH | 1 | SALT-AWAY |
| 19-9-16 | R-KM80695 | SILICONE SPRAY | 1 | |
| 19-9-17 | R-TCW3 | TC-W3 2-CYCLE SYNTHETIC MARINE OIL | 1 | |
| 19-9-18 | R-KM80-1209 | THREAD LOCKER, BLUE (MEDIUM) | 1 | |
| 19-9-19 | R-KM801208 | THREAD LOCKER, RED (HIGH) | 1 | |
| 19-9-20 | R-KM80701 | WHITE LITHIUM GREASE | 1 | |

RAIDER Outboards, Inc.
1855 Shepard Drive
Titusville, FL 32780

Telephone: (321) 383-9585
www.raideroutboards.com

Technical Support
Techsupport@raideroutboards.com
321-567-2306

**RAIDER 40 HORSEPOWER
SUBMERSIBLE /
MULTI-FUEL
OUTBOARD MOTOR
NSN 3H 2805-01-652-3067
PART NO. R40ES-002**

